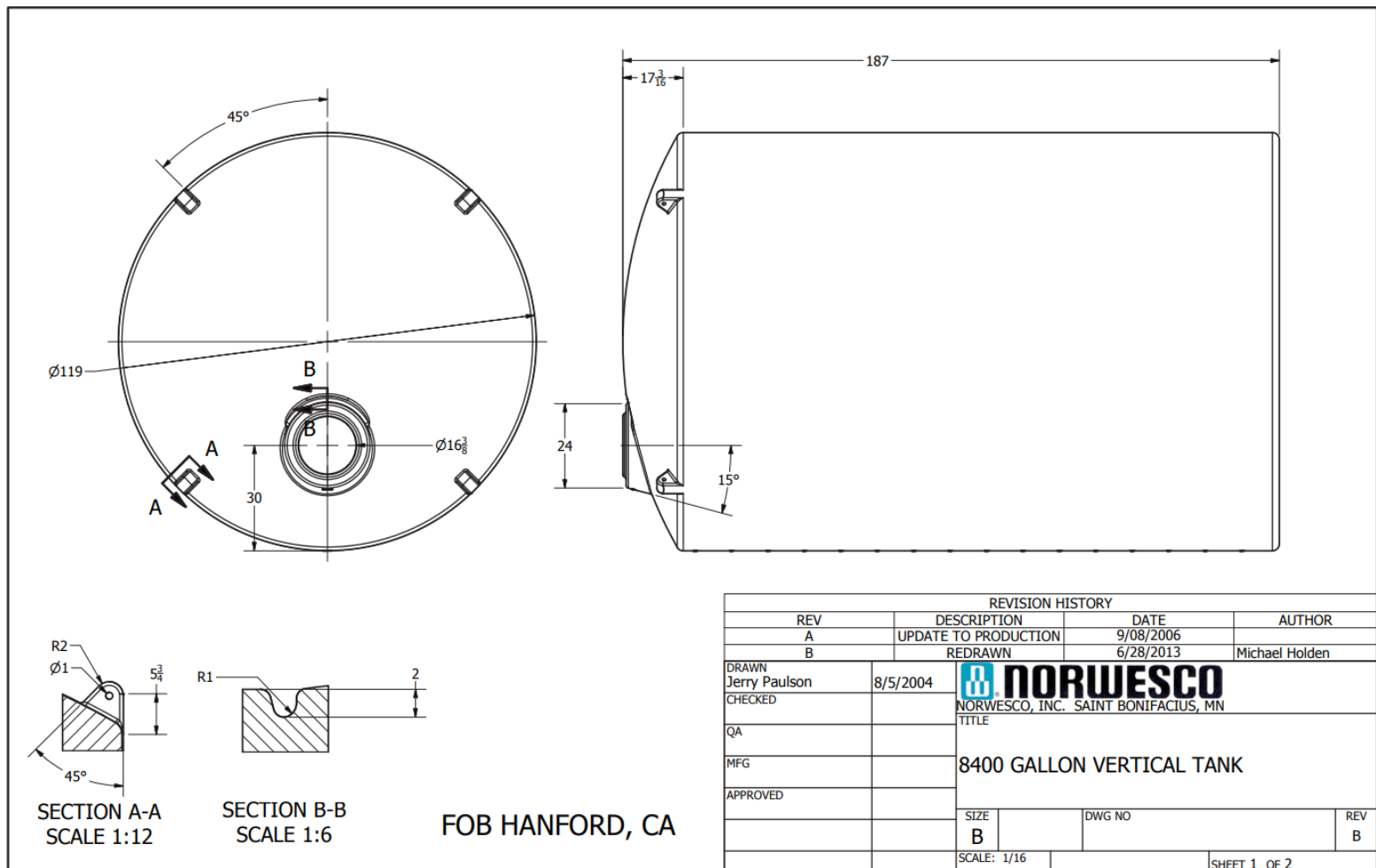




if it flows,
we go with it

1.800.665.4499
barrplastics.com



SECTION A-A
SCALE 1:12

SECTION B-B
SCALE 1:6

FOB HANFORD, CA