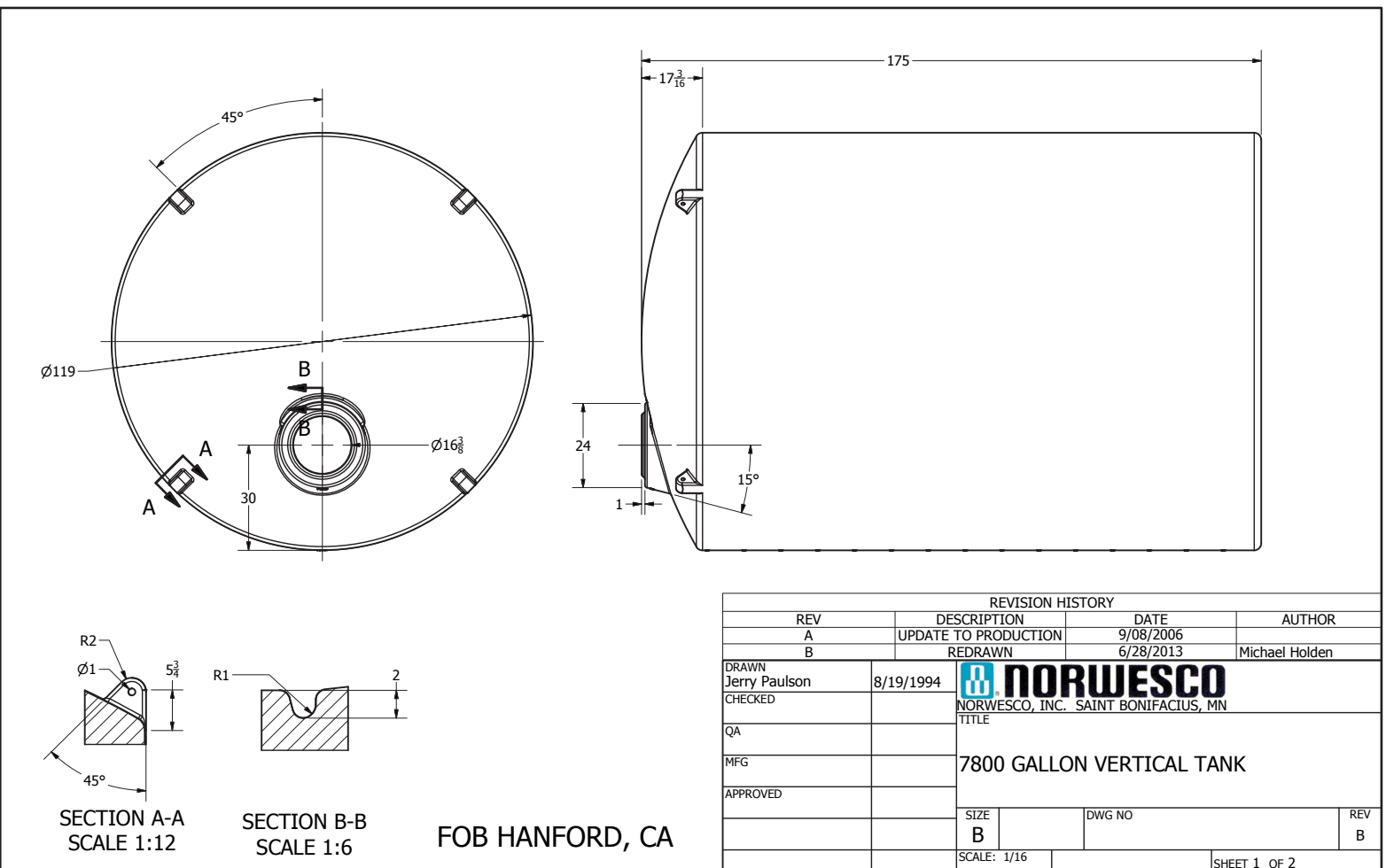




if it flows,
we go with it

1.800.665.4499
barrplastics.com



SECTION A-A
SCALE 1:12

SECTION B-B
SCALE 1:6

FOB HANFORD, CA

REVISION HISTORY			
REV	DESCRIPTION	DATE	AUTHOR
A	UPDATE TO PRODUCTION	9/08/2006	
B	REDRAWN	6/28/2013	Michael Holden

DRAWN Jerry Paulson	8/19/1994	 NORWESCO, INC. SAINT BONIFACIUS, MN	
CHECKED			
QA		TITLE	
MFG		7800 GALLON VERTICAL TANK	
APPROVED			
		SIZE B	DWG NO
		SCALE: 1/16	REV B
			SHEET 1 OF 2