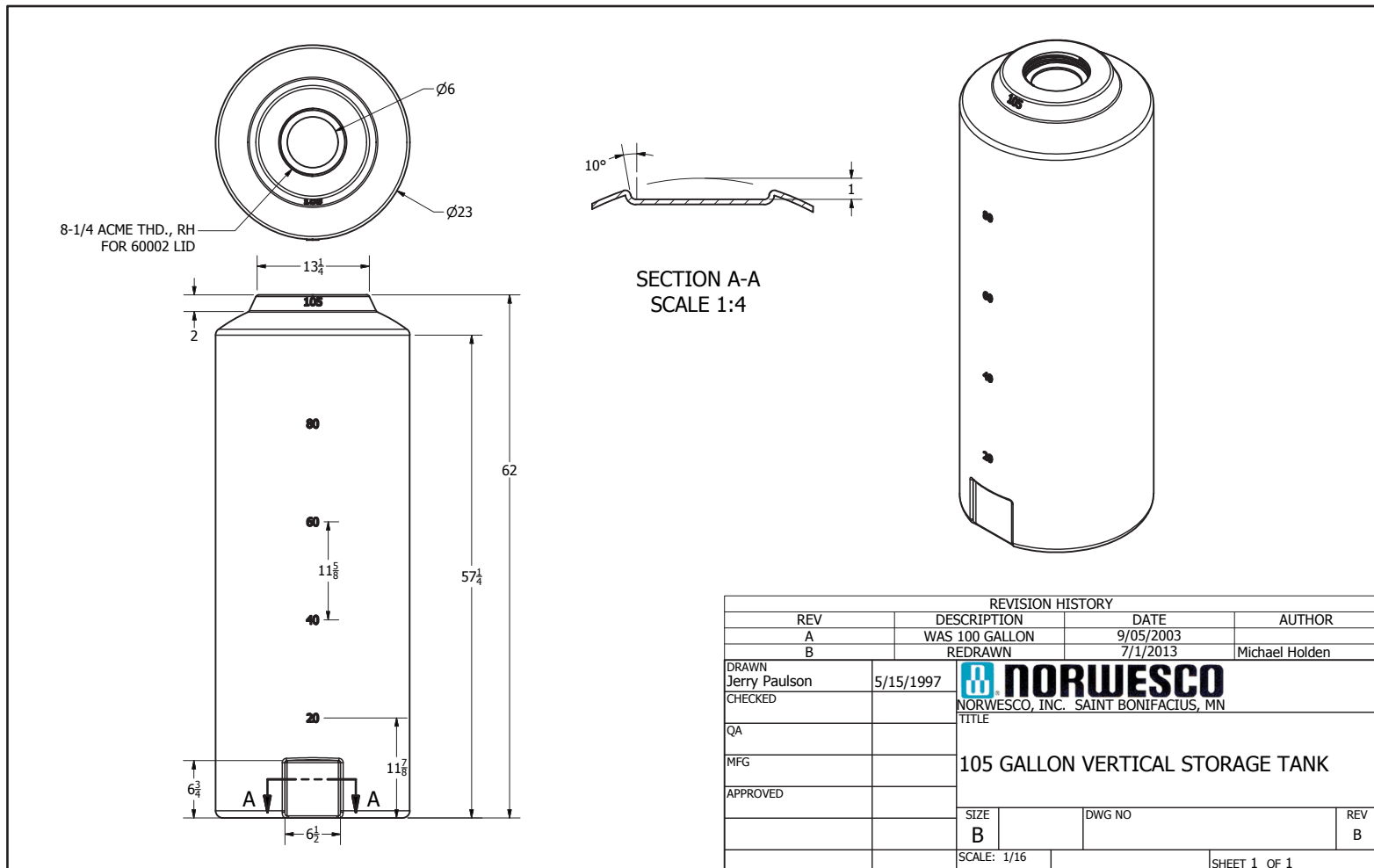




if it flows,
we go with it

1.800.665.4499
barrplastics.com



REVISION HISTORY			
REV	DESCRIPTION	DATE	AUTHOR
A	WAS 100 GALLON	9/05/2003	
B	REDRAWN	7/1/2013	Michael Holden

DRAWN Jerry Paulson	5/15/1997	 NORWESCO, INC. SAINT BONIFACIUS, MN	
CHECKED			
QA		TITLE	
MFG		105 GALLON VERTICAL STORAGE TANK	
APPROVED			
		SIZE B	DWG NO
		SCALE: 1/16	REV B
			SHEET 1 OF 1