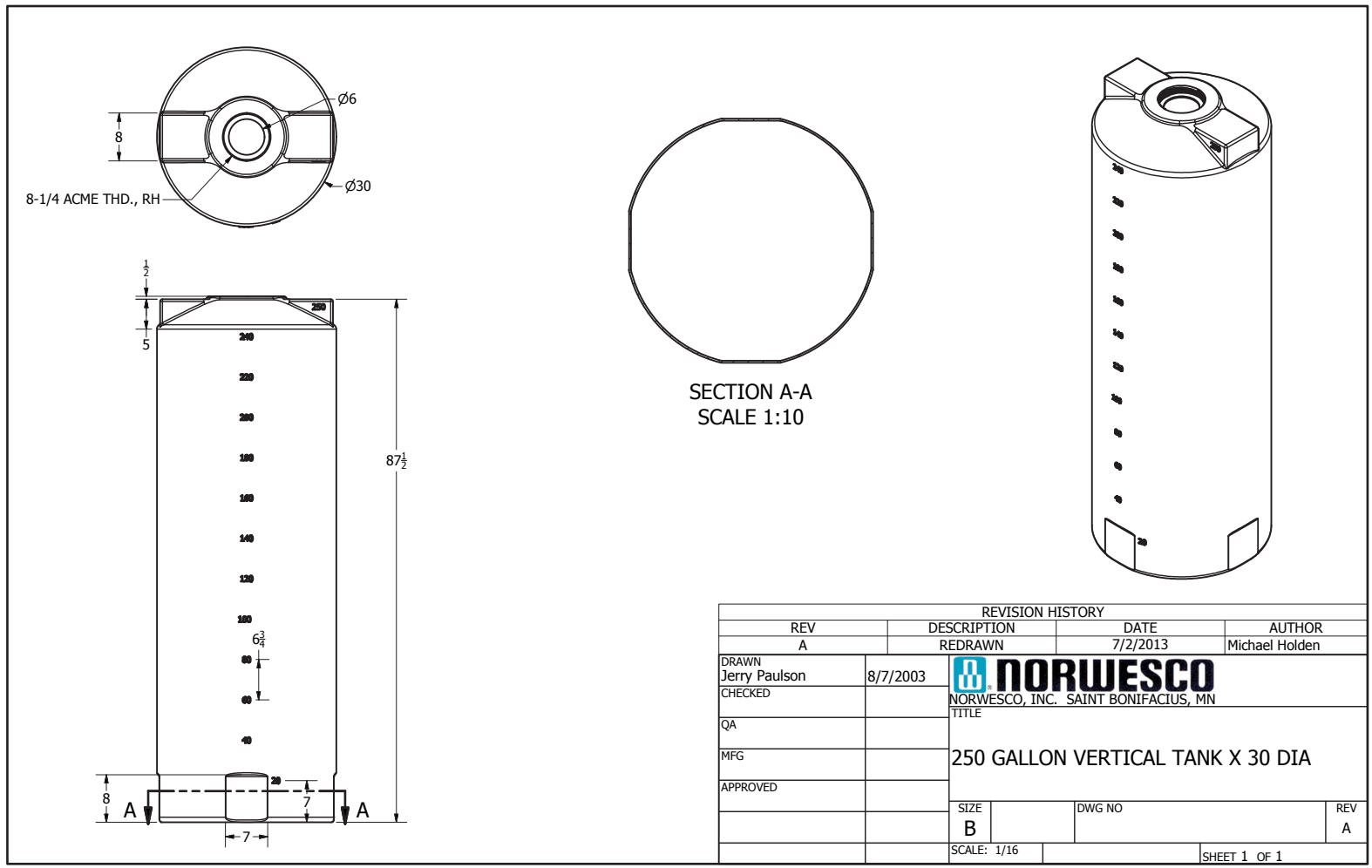




if it flows,
we go with it

1.800.665.4499
barrplastics.com



REVISION HISTORY			
REV	DESCRIPTION	DATE	AUTHOR
A	REDRAWN	7/2/2013	Michael Holden
DRAWN Jerry Paulson		8/7/2003	 NORWESCO, INC. SAINT BONIFACIUS, MN
CHECKED			
QA		TITLE	
MFG		250 GALLON VERTICAL TANK X 30 DIA	
APPROVED			
		SIZE B	REV A
		DWG NO	
		SCALE: 1/16	SHEET 1 OF 1