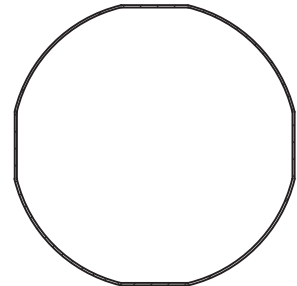
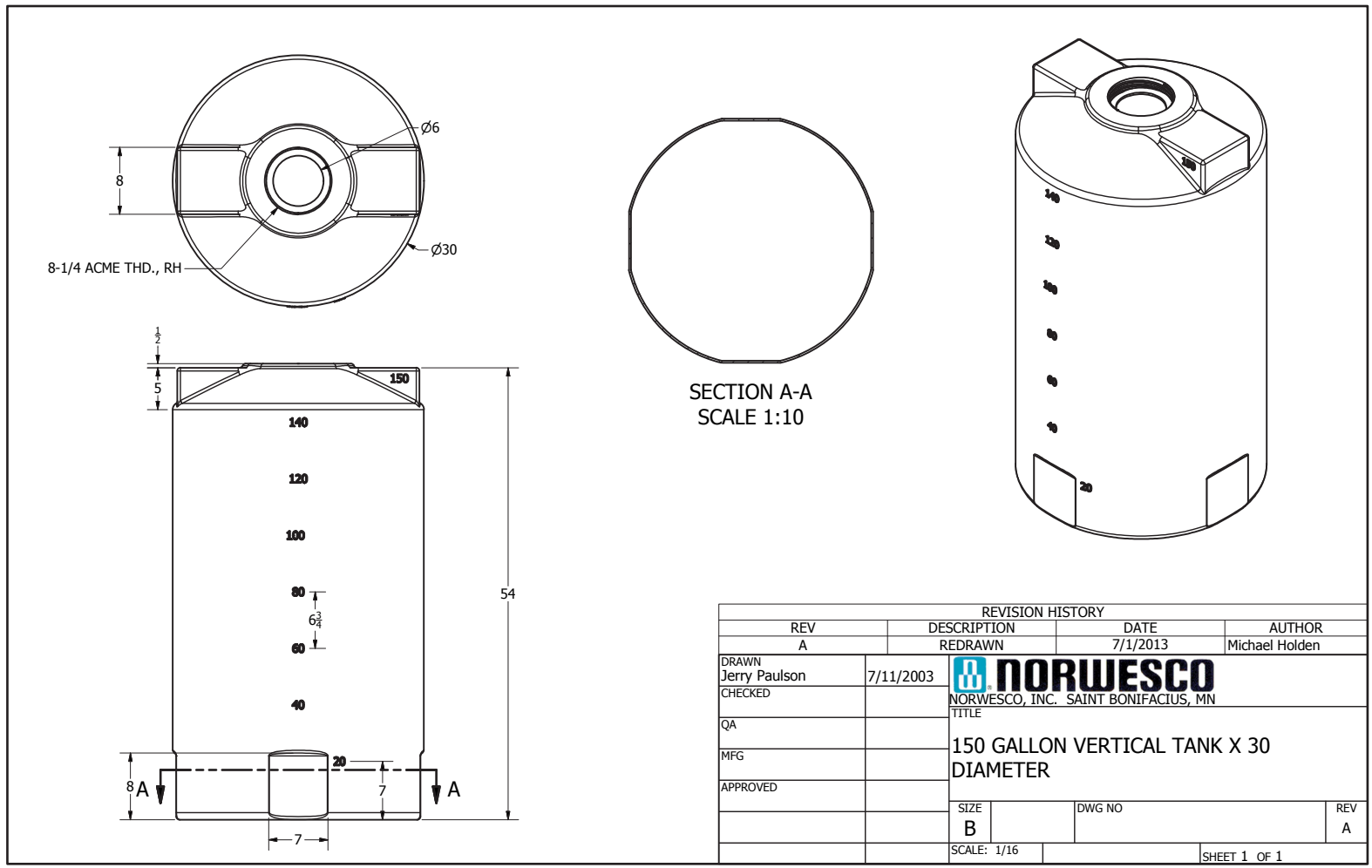




if it flows,
we go with it

1.800.665.4499
barrplastics.com



REVISION HISTORY			
REV	DESCRIPTION	DATE	AUTHOR
A	REDRAWN	7/1/2013	Michael Holden
DRAWN Jerry Paulson		7/11/2003	 NORWESCO, INC. SAINT BONIFACIUS, MN
CHECKED			
QA			TITLE
MFG			150 GALLON VERTICAL TANK X 30 DIAMETER
APPROVED			
	SIZE B	DWG NO	REV A
SCALE: 1/16		SHEET 1 OF 1	