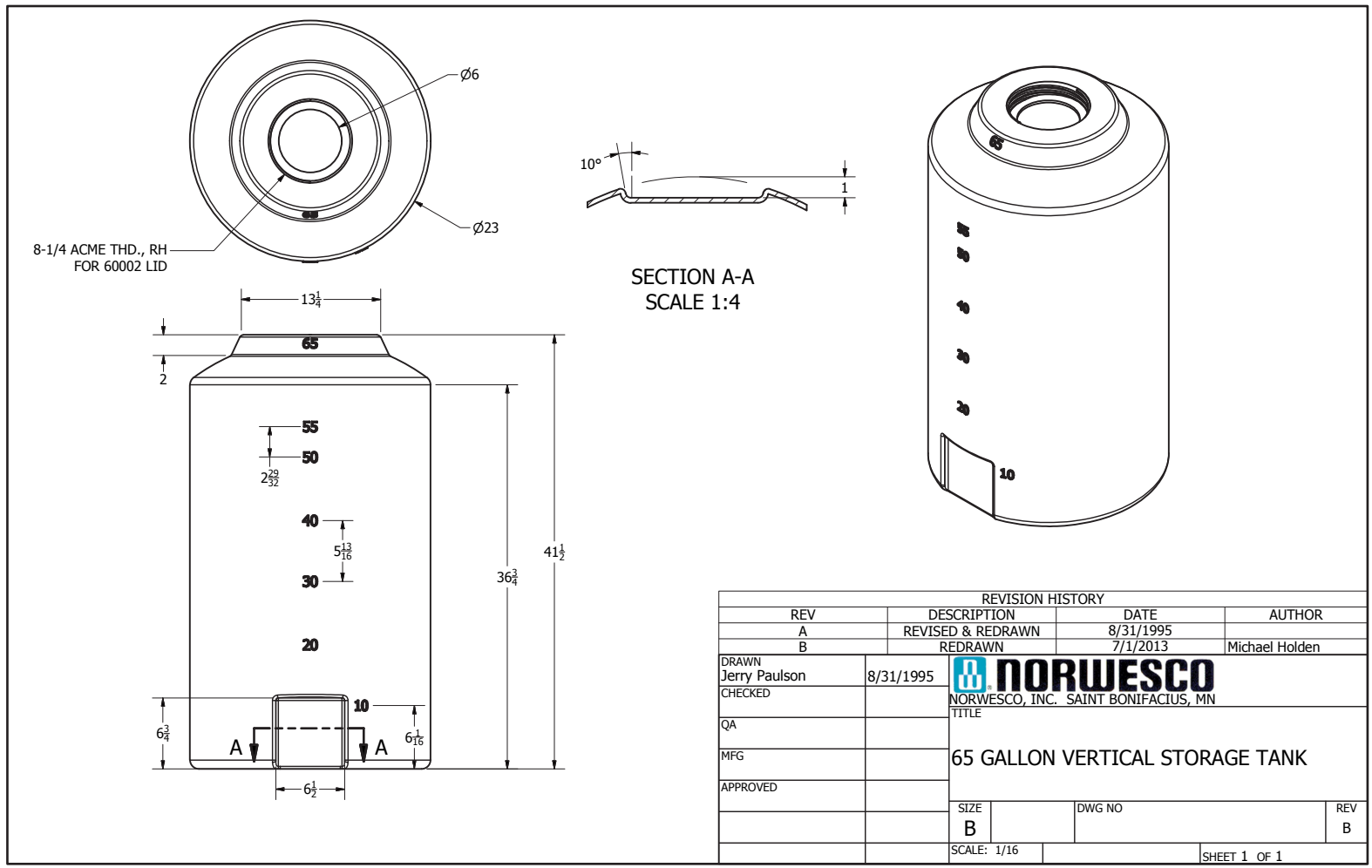




if it flows,
we go with it

1.800.665.4499
barrplastics.com



REVISION HISTORY			
REV	DESCRIPTION	DATE	AUTHOR
A	REVISED & REDRAWN	8/31/1995	
B	REDRAWN	7/1/2013	Michael Holden

DRAWN Jerry Paulson	8/31/1995	 NORWESCO, INC. SAINT BONIFACIUS, MN	
CHECKED			TITLE
QA		65 GALLON VERTICAL STORAGE TANK	
MFG			
APPROVED			
		SIZE B	REV B
		SCALE: 1/16	SHEET 1 OF 1