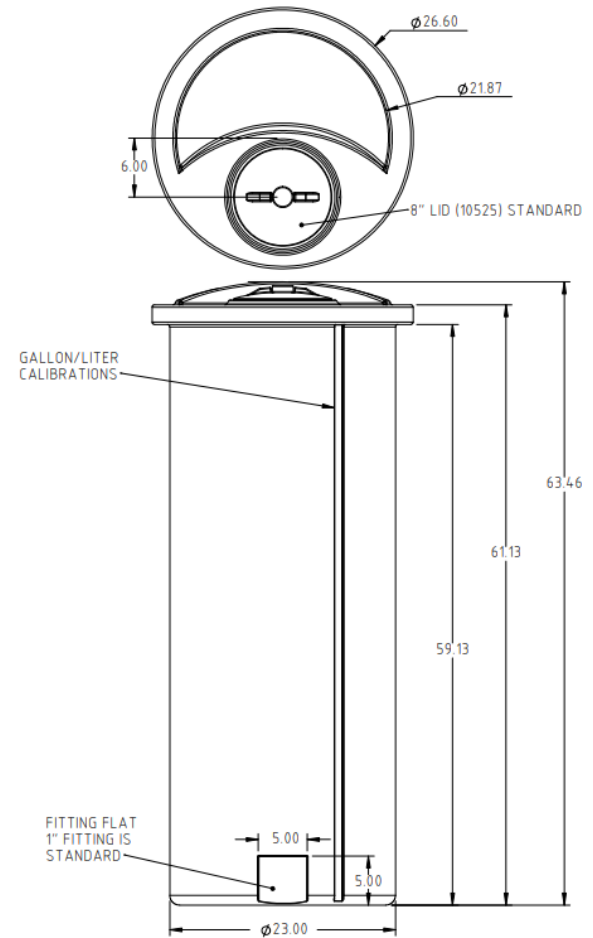
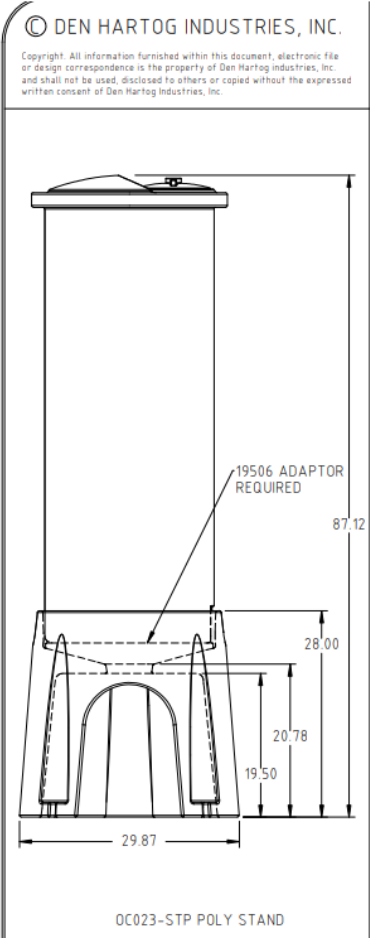




if it flows,
we go with it

1.800.665.4499
barrplastics.com



VT0100-23

REV		DESCRIPTION	BY / DATE	CCN	DRAWN / DATE ADH 7/12/10	MATERIAL 10420	 Den Hartog INDUSTRIES, INC. <small>Acc Roto-Mold Injection Molding Blow Molding Sowjoy</small> 4010 HOSPERS DRIVE S. BOX 425, HOSPERS, IOWA 51238-0425
APPD. / DATE					REH 4/18/11		
ALL DIMENSIONS ARE IN DECIMAL INCHES TOLERANCES UNLESS OTHERWISE SPECIFIED		THIRD ANGLE PROJECTION ANSI 14.5M			SHOT WEIGHT: 34.00 LBS	NOTES:	
POLYETHYLENE		METAL		SHIPPING WEIGHT: 36.00 LBS		1) 0.20 WALL THICKNESS	DESCRIPTION 23" DIA. X 100 GALLON VERTICAL TANK
±1% @ 68°F		DECIMAL ± .125" FRACTION ± 1/4" ANGLE ± 1°		FINISH:			SCALE N.S.
							PART NO. VT0100-23