



if it flows,
we go with it

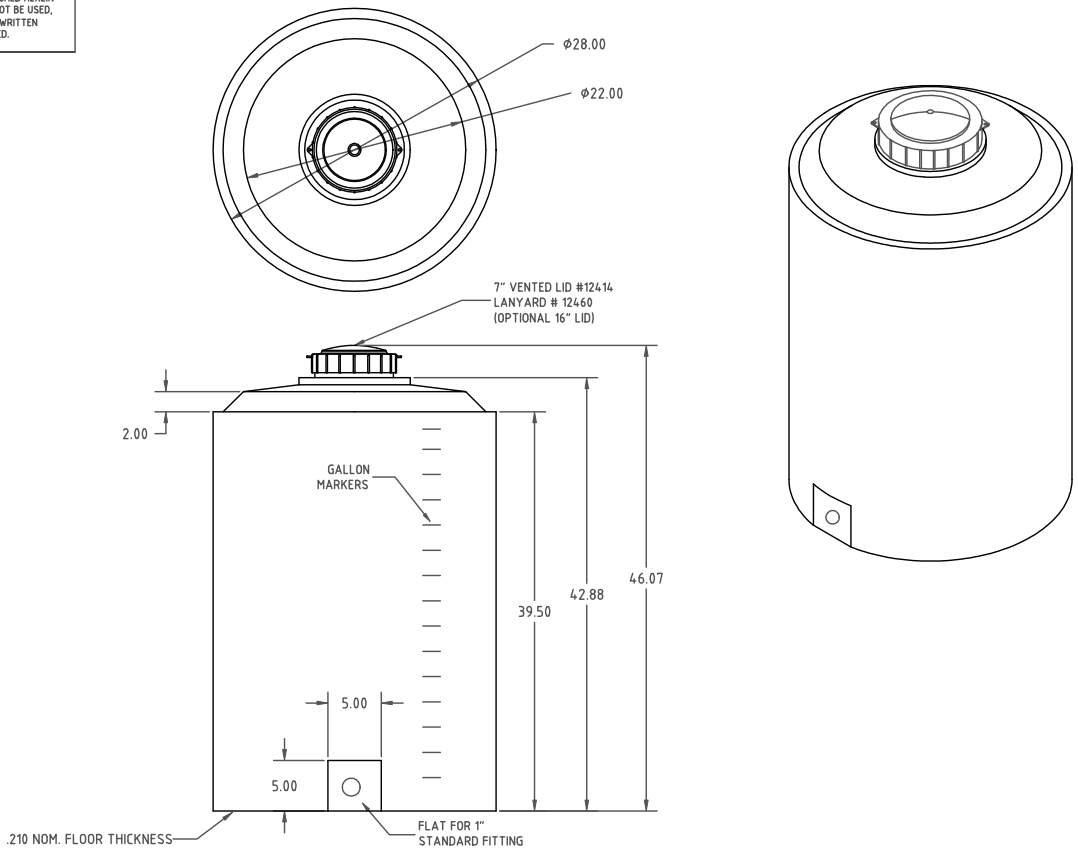
1.800.665.4499
barrplastics.com


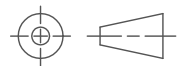
PROPRIETARY DATA

PROPERTY OF ACE ROTO-MOLD MFG., INC. INFORMATION FURNISHED HEREIN IS THE PROPERTY OF ACE ROTO-MOLD MFG., INC. AND SHALL NOT BE USED, DISCLOSED TO OTHERS, OR COPIED WITHOUT THE EXPRESSED WRITTEN CONSENT OF ACE ROTO-MOLD MFG., INC. ALL RIGHTS RESERVED.

VT0100-28

B



			DRAWN / DATE	MATERIAL / SHOT WEIGHT	 Ace Roto-Mold A DIVISION OF DEN HARTOG INDUSTRIES, INC. 4010 HOSPERS DRIVE S., BOX 425, HOSPERS, IOWA 51238	
B	CHANGE TO 7" LID	7/9/07 DHJ	DHJ 4/25/03	POLYETHYLENE		
A	CHANGED TOP OF TANK	11/2/05 NVE	APPRD. / DATE	36 LBS.	CLIENT / DESCRIPTION	
REV	DESCRIPTION	DATE APPRD.	GWC 6/29/07		100 GALLON VERTICAL TANK	
ALL DIMENSIONS ARE IN DECIMAL INCHES TOLERANCES UNLESS OTHERWISE SPECIFIED $\pm 1\%$ @ 68° F			THIRD ANGLE PROJECTION ANSI 14.5M 	NOTES: 1. BLACK, WHITE OR YELLOW COLOR 2. NOM. WALL .215	SCALE	PART NO.
					NONE	VT0100-28