

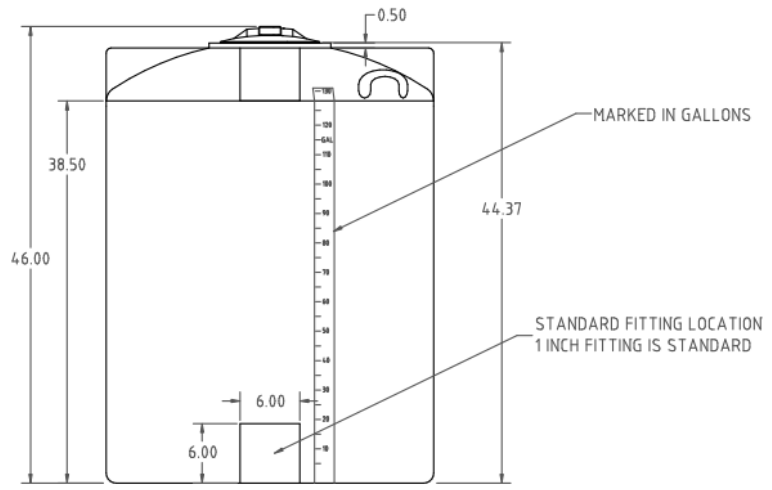
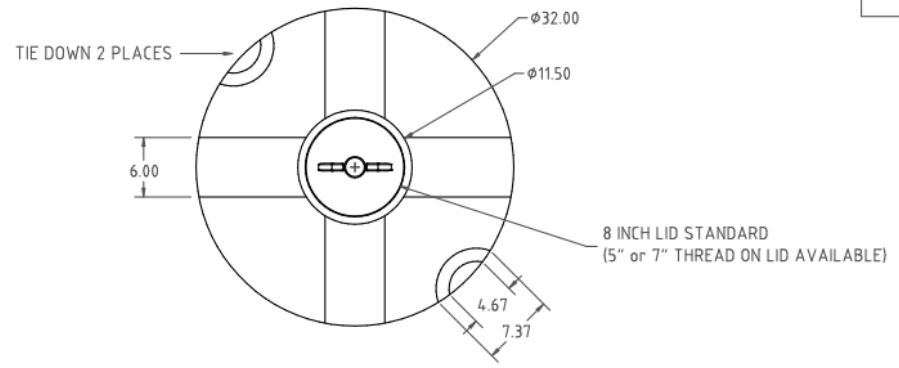


if it flows,
we go with it

1.800.665.4499
barrplastics.com

© DEN HARTOG INDUSTRIES, INC.
Copyright. All information furnished within this document, electronic file or design correspondence is the property of Den Hartog industries, inc. and shall not be used, disclosed to others or copied without the expressed written consent of Den Hartog Industries, Inc.

VT0130-32



REV		DESCRIPTION	BY / DATE	CCN	DRAWN / DATE DHJ 3/31/09	MATERIAL 10420 3 MELT	 Ace Roto-Mold Injection Molding Blow Molding Sowjoy 4010 HOSPERS DRIVE S. BOX 425, HOSPERS, IOWA 51238-0421
					APPRD. / DATE REH 5/20/09	NOTES: 1. .200 WALL	
ALL DIMENSIONS ARE IN DECIMAL INCHES TOLERANCES UNLESS OTHERWISE SPECIFIED POLYETHYLENE $\pm 1\%$ @ 68° F			THIRD ANGLE PROJECTION ANSI 14.5M 		SHOT WEIGHT: 45 LBS. SHIPPING WEIGHT: 47 LBS. FINISH:	DESCRIPTION 130 GALLON X 32" DIA. VERTICAL TANK	SCALE N.S. PART NO. VT0130-32