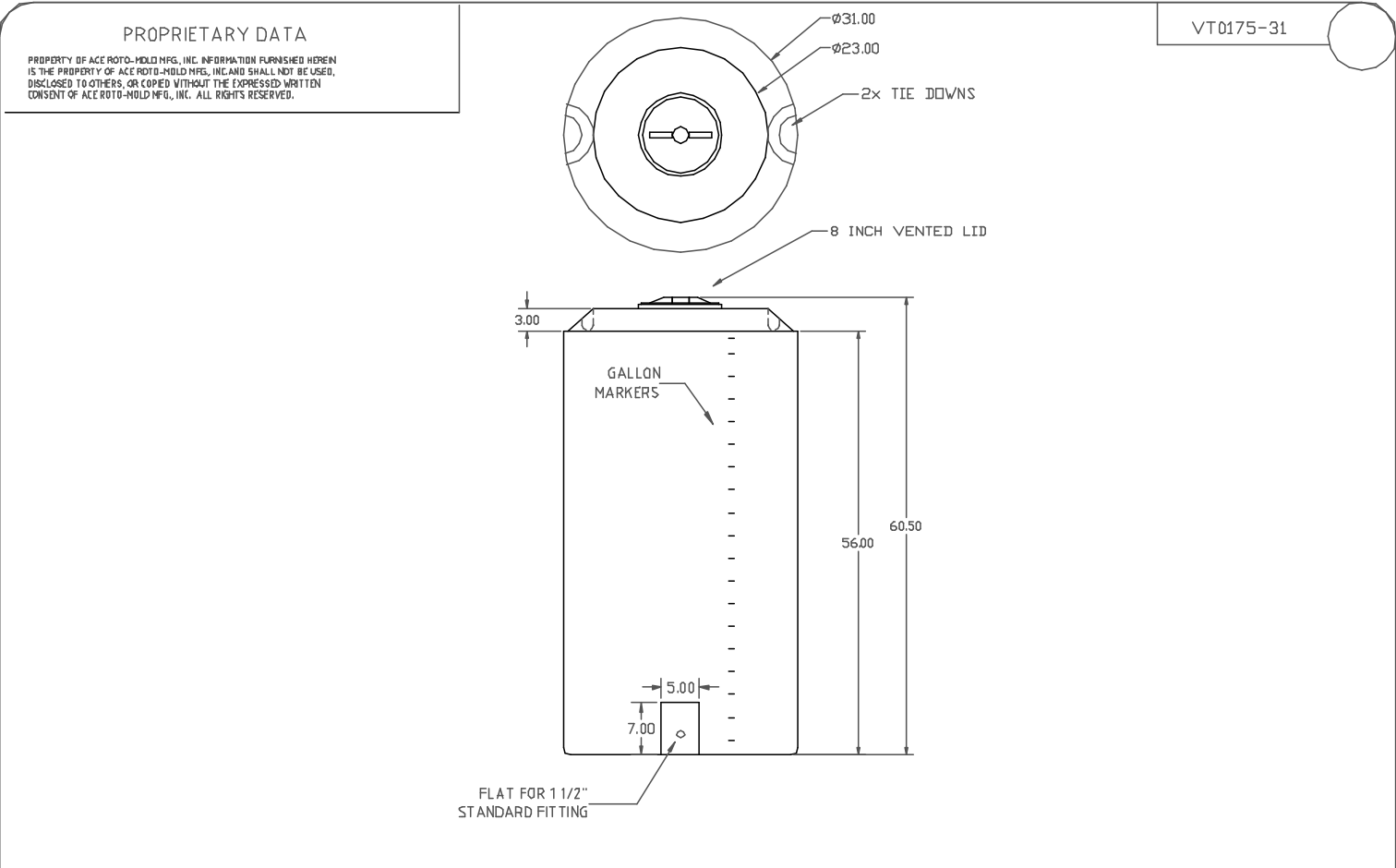




if it flows,  
we go with it

1.800.665.4499  
barrplastics.com



<p>PROPRIETARY DATA</p> <p>PROPERTY OF ACE ROTO-MOLD MFG, INC. INFORMATION FURNISHED HEREIN IS THE PROPERTY OF ACE ROTO-MOLD MFG, INC. AND SHALL NOT BE USED, DISCLOSED TO OTHERS, OR COPIED WITHOUT THE EXPRESSED WRITTEN CONSENT OF ACE ROTO-MOLD MFG, INC. ALL RIGHTS RESERVED.</p>			<p>VT0175-31</p>		
<p>REV    DESCRIPTION    DATE APPRD.</p>			<p>DRAWN / DATE DHJ 3/2/05</p>	<p>MATERIAL / SHOT WEIGHT POLYETHYLENE 54 LBS.</p>	<p> <b>Ace Roto-Mold</b> A DIVISION OF DEN HARTOG INDUSTRIES, INC.</p>
<p>ALL DIMENSIONS ARE IN DECIMAL INCHES TOLERANCES UNLESS OTHERWISE SPECIFIED ±1% @ 68° F</p>			<p>APPRD. / DATE</p>	<p>NOTES: 1. BLACK, BLUE, AND WHITE COLOR 2. .25 NOM. WALL</p>	
<p>THIRD ANGLE PROJECTION ANSI 14.5M</p>			<p>SCALE    PART NO. NONE    VT0175-31</p>		