



if it flows,
we go with it

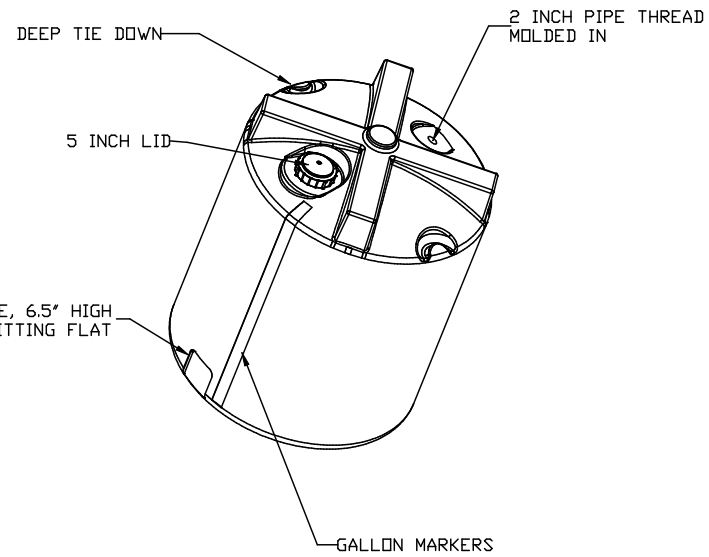
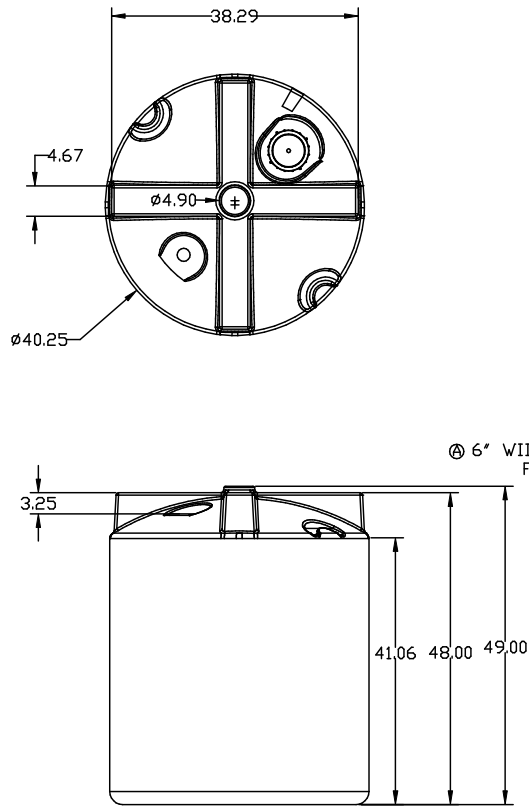
1.800.665.4499
barrplastics.com

© DEN HARTOG INDUSTRIES, INC.

VT0210-40



Copyright. All information furnished within this document, electronic file or design correspondence is the property of Den Hartog industries, Inc. and shall not be used, disclosed to others or copied without the expressed written consent of Den Hartog Industries, Inc.



				DRAWN / DATE NVE 6/28/05		MATERIAL		 ACE ROTO-MOLD A DIVISION OF DEN HARTOG INDUSTRIES, INC. 4010 HOSPERS DRIVE S. BOX 425, HOSPERS, IOWA 51238-0421	
				APPRD. / DATE DHJ 6/28/05		HDPE OR EQUIVALENT REFERENCE MATERIAL DATA SHEET FOR SPECIFIC PROPERTIES.			
A	FLAT DIMENSIONS ADDED	CCN 1701	ADH	8/18/08			CLIENT / DESCRIPTION		
REV	DESCRIPTION	DATE	APPRD					210 GALLON VERTICAL TANK	
ALL DIMENSIONS ARE IN DECIMAL INCHES TOLERANCES UNLESS OTHERWISE SPECIFIED $\pm 1\%$ @ 68° F				THIRD ANGLE PROJECTION ANSI 14.5M 		NOTES: 1. NOM. WALL @ .190 2. WHITE COLOR 3. SHOT WEIGHT 56 LBS.		SCALE	N.S.
								PART NO.	VT0210-40