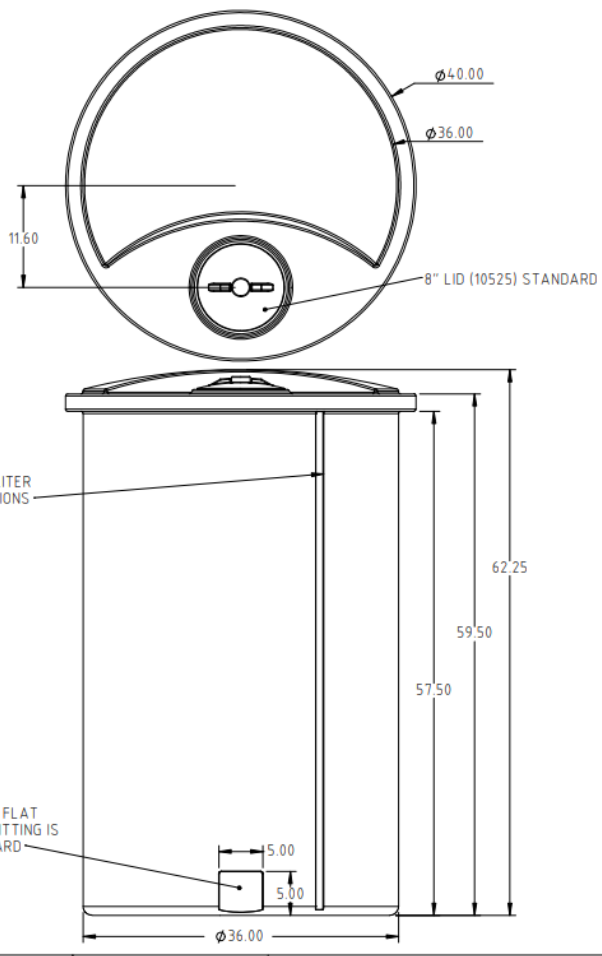
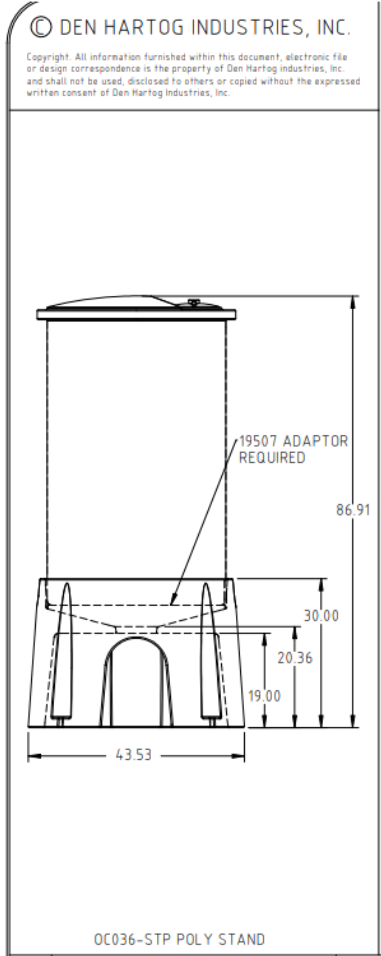




if it flows,
we go with it

1.800.665.4499
barrplastics.com



VT0250-36

				DRAWN / DATE ADH 7/12/10	MATERIAL 10420	 Den Hartog INDUSTRIES, INC. <small>Ace Roto-Mold Injection Molding Blow Molding Sowjoy</small> 4010 HOSPERS DRIVE S. BOX 425, HOSPERS, IOWA 51238-0425
				APPRD / DATE REH 4/18/11		
REV	DESCRIPTION	BY / DATE	CCN	SHOT WEIGHT: 74.00 LBS	NOTES: 1.) 0.22 WALL THICKNESS	DESCRIPTION 36" DIA. X 250 GALLON VERTICAL TANK
ALL DIMENSIONS ARE IN DECIMAL INCHES TOLERANCES UNLESS OTHERWISE SPECIFIED				SHIPPING WEIGHT: 76.00 LBS		
POLYETHYLENE ±1% @ 68°F		METAL DECIMAL ± .125" FRACTION ± 1/4" ANGLE ± 1°		THIRD ANGLE PROJECTION ANSI 14.5M	FINISH:	SCALE N.S.
						PART NO. VT0250-36

This document contains proprietary information. It is intended solely for use of potential clients involved or to be involved in a transaction with BARR Plastics Inc. Such proprietary information may not be used, reproduced, or disclosed for any other purpose without the expressed written permission.

© 2019 BARR PLASTICS INC