

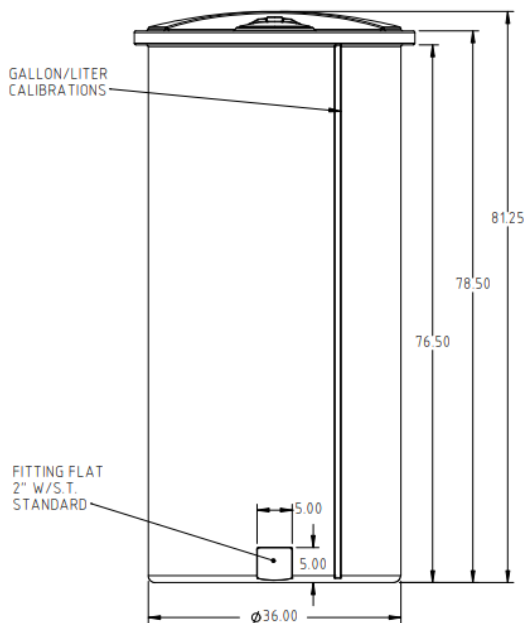
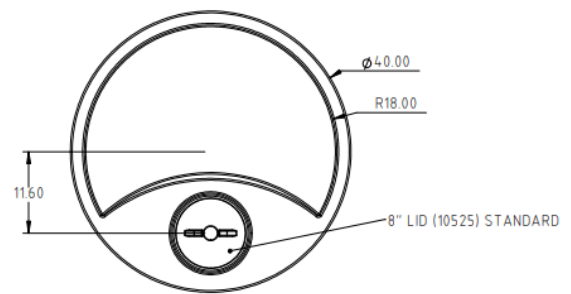
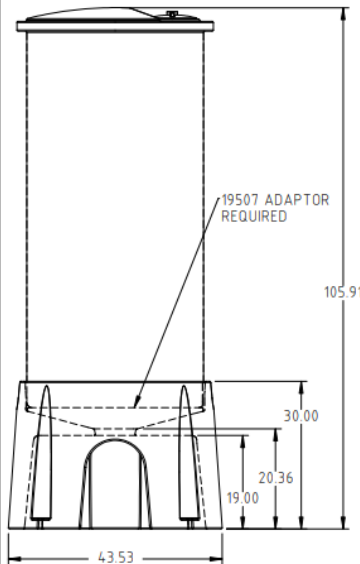


if it flows,
we go with it

1.800.665.4499
barrplastics.com

© DEN HARTOG INDUSTRIES, INC.
Copyright. All information furnished within this document, electronic file or design correspondence is the property of Den Hartog Industries, Inc. and shall not be used, disclosed to others or copied without the expressed written consent of Den Hartog Industries, Inc.

VT0325-36



OC036-STP POLY STAND

REV	DESCRIPTION	BY / DATE	CCN	DRAWN / DATE ADH 7/12/10	MATERIAL 10420
				APPRD / DATE REH 4/18/11	
				SHOT WEIGHT: 90.00 LBS	NOTES: 1) 0.22 WALL THICKNESS
				SHIPPING WEIGHT: 92.00 LBS	
				FINISH:	

Den Hartog
INDUSTRIES, INC.

Acu Roto-Mold Injection Molding Blow Molding Sowjoy

4010 HOSPERS DRIVE S. BOX 425, HOSPERS, IOWA 51238-0425

DESCRIPTION	36" DIA. X 325 GALLON VERTICAL TANK	
SCALE	N.S.	PART NO. VT0325-36

ALL DIMENSIONS ARE IN DECIMAL INCHES
TOLERANCES UNLESS OTHERWISE SPECIFIED

POLYETHYLENE	METAL
±1% @ 68° F	DECIMAL ± .125" FRACTION ± 1/4" ANGLE ± 1°

