

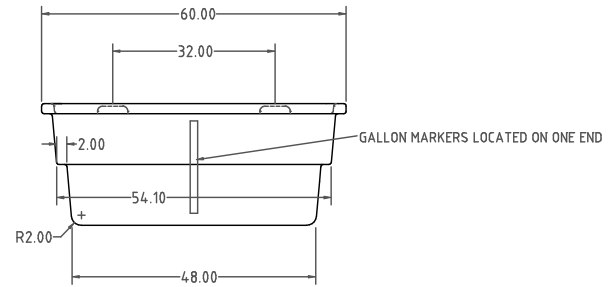
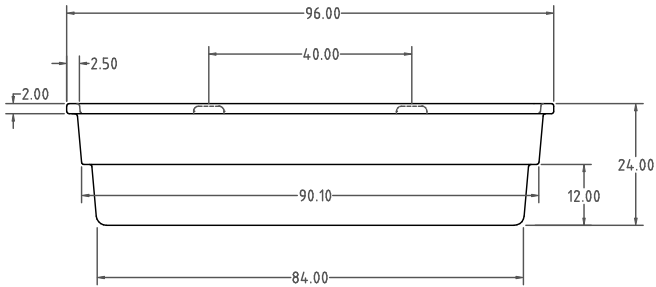
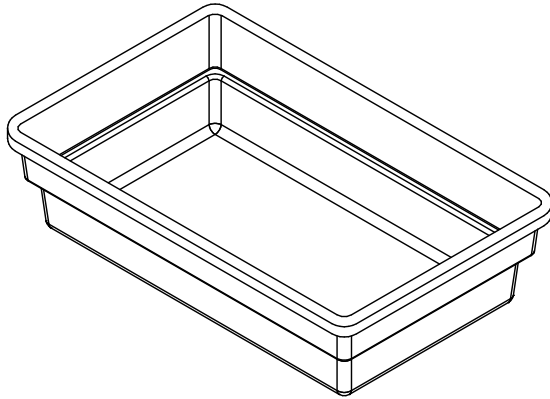
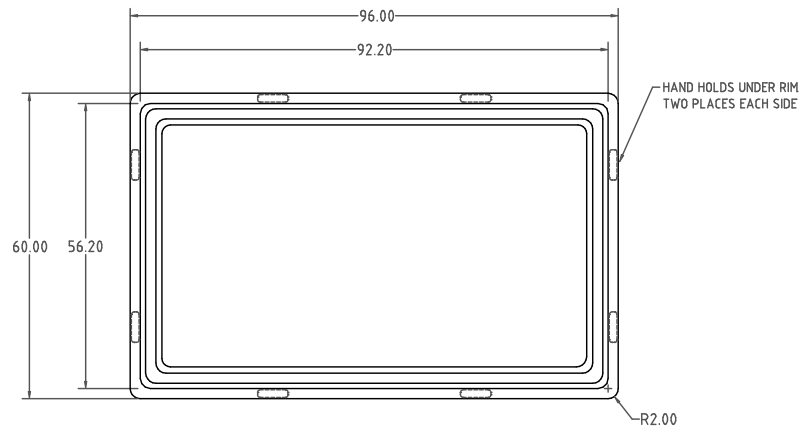


if it flows,
we go with it

1.800.665.4499
barrplastics.com

PROPRIETARY DATA
INFORMATION FURNISHED HEREIN IS THE PROPERTY OF DEN HARTOG INDUSTRIES INC. AND SHALL NOT BE USED, DISCLOSED TO OTHERS, OR COPIED WITHOUT EXPRESSED WRITTEN CONSENT OF DEN HARTOG IND. ALL RIGHTS RESERVED.

OP0325-RT



				DRAWN /DATE DHJ 10/3/07 APPRD. /DATE REH 11/9/07	MATERIAL SHOT WEIGHT = 115 LBS. = .25 WALL 10530 2 MELT NATURAL RESIN	Ace Roto-Mold A DIVISION OF DEN HARTOG INDUSTRIES, INC. 4010 HOSPERS DRIVE SOUTH, BOX 425, HOSPERS, IOWA 51238	
REV	DESCRIPTION	DATE	APPRD.	CCN	NOTES:	CLIENT / DESCRIPTION	
	ALL DIMENSIONS ARE IN DECIMAL INCHES TOLERANCES UNLESS OTHERWISE SPECIFIED ± 1 % @ 68°F				THIRD ANGLE PROJECTION ANSI 14.5M 	325 GALLON CONTAINMENT TANK	
					SCALE	PART NO.	
					NONE	OP0325-RT	