



if it flows,
we go with it

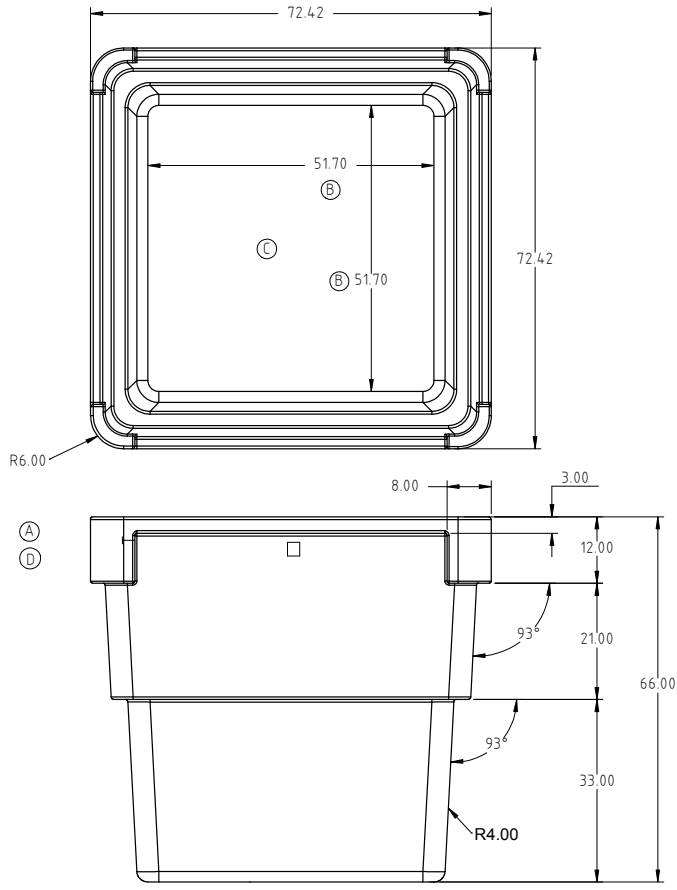
1.800.665.4499
barrplastics.com

© DEN HARTOG INDUSTRIES, INC.

Copyright: All information furnished within this document, electronic file or design correspondence is the property of Den Hartog Industries, Inc. and shall not be used, disclosed to others or copied without the expressed written consent of Den Hartog Industries, Inc.

OP0825-RT

D



STACK 5 HIGH UPSIDE DOWN FOR STORAGE

D	REMOVED CORNER HOLES	REH 3/8/11	2185	DRAWN / DATE ADH 6/25/08	MATERIAL 10538 POWDER.	 Den Hartog INDUSTRIES, INC. <small>Ace Roto-Mold Injection Molding Blow Molding Sowjoy</small> 4010 HOSPERS DRIVE S. BOX 425, HOSPERS, IOWA 51238-0421	
C	RAISED CIRCULAR CENTER REMOVED	ADH 12/29/10	2144				
B	INSIDE BASE DIMENSIONS ADDED	ADH 8/3/09	1902				
A	ADDED CORNER HOLES	REH 1/5/09	1775				
REV	DESCRIPTION	BY / DATE	CCN	APPRD / DATE REH 7/1/08			
ALL DIMENSIONS ARE IN DECIMAL INCHES TOLERANCES UNLESS OTHERWISE SPECIFIED		THIRD ANGLE PROJECTION ANSI 14.5M		SHOT WEIGHT: 288 LB.	NOTES: 1. NATURAL COLOR STD. 2. .350 WALL THICKNESS	DESCRIPTION 825 GALLON CONTAINMENT TANK	
POLYETHYLENE ±1% @ 68°F	METAL DECIMAL ± .125" FRACTION ± 1/4" ANGLE ± 1°			SHIPPING WEIGHT: 276 LB.		SCALE N.S.	PART NO. OP0825-RT
				FINISH: BEAD BLAST			