



if it flows,  
we go with it

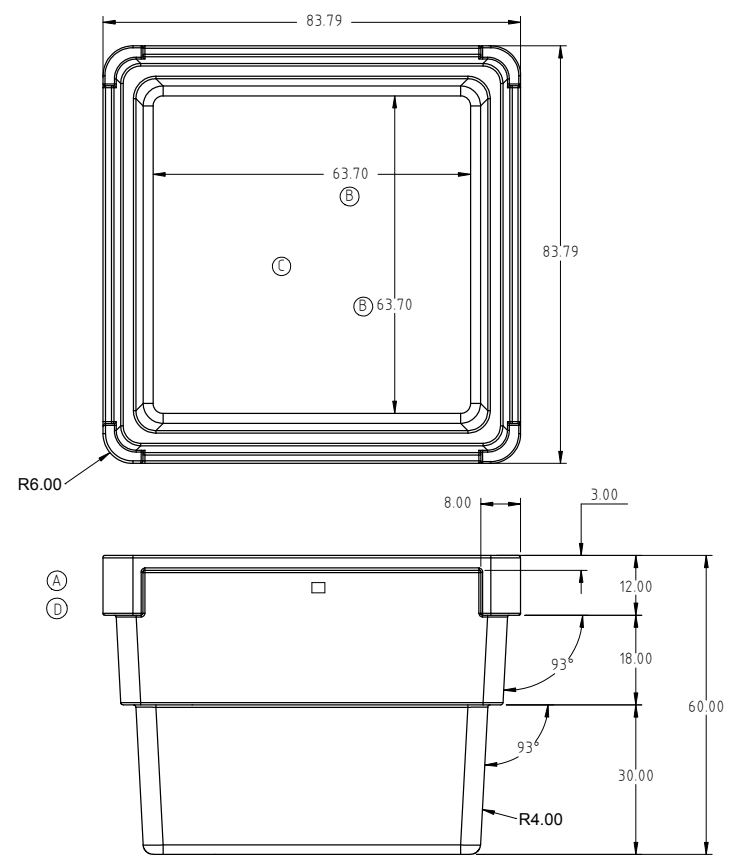
1.800.665.4499  
barrplastics.com

© DEN HARTOG INDUSTRIES, INC.

Copyright. All information furnished within this document, electronic file or design correspondence is the property of Den Hartog Industries, Inc. and shall not be used, disclosed to others or copied without the expressed written consent of Den Hartog Industries, Inc.

OP1325-RT

D



STACK 5 HIGH UPSIDE DOWN FOR STORAGE

D	REMOVED CORNER HOLES	REH 3/8/11	2185							
C	RAISED CIRCULAR CENTER REMOVED	ADH 12/29/10	2144	DRAWN / DATE	MATERIAL	<p><b>Den Hartog</b> INDUSTRIES, INC.</p> <p><small>Ace Roto-Mold Injection Molding Blow Molding Sowjey</small></p> <p>4010 HOSPERS DRIVE S. BOX 425, HOSPERS, IOWA 51238-0421</p>				
B	INSIDE BASE DIMENSIONS ADDED	ADH 8/3/09	1902	ADH 6/25/08	10538 POWDER					
A	ADDED CORNER HOLES	REH 1/5/09	1775	APPRD. / DATE						
REV	DESCRIPTION	BY / DATE	CCN	REH 7/1/08						
ALL DIMENSIONS ARE IN DECIMAL INCHES TOLERANCES UNLESS OTHERWISE SPECIFIED		THIRD ANGLE PROJECTION ANSI 14.5M		SHOT WEIGHT:	375 LB.	NOTES: 1. NATURAL COLOR STD. 2. .425 WALL THICKNESS	DESCRIPTION	1325 GALLON CONTAINMENT TANK		
POLYETHYLENE	METAL			SHIPPING WEIGHT:	360 LB.		SCALE	N.S.	PART NO.	OP1325-RT
±1% @ 68° F	DECIMAL ± .125" FRACTION ± 1/4" ANGLE ± 1°			FINISH:	BEAD BLAST					

This document contains proprietary information. It is intended solely for use of potential clients involved or to be involved in a transaction with BARR Plastics Inc. Such proprietary information may not be used, reproduced, or disclosed for any other purpose without the expressed written permission.

© 2019 BARR PLASTICS INC