



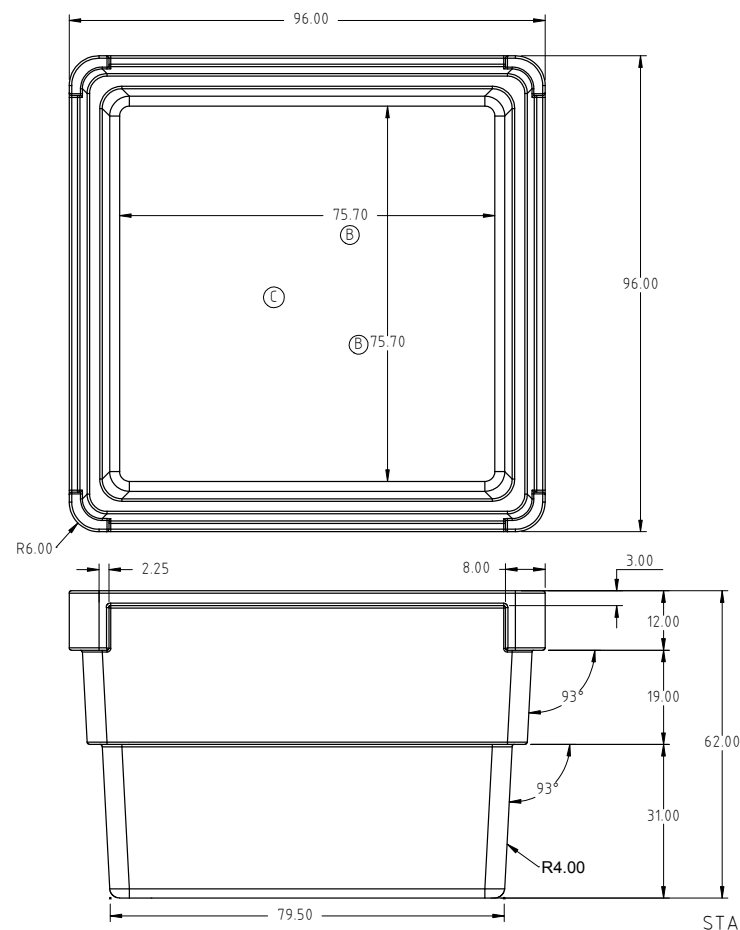
if it flows,
we go with it

1.800.665.4499
barrplastics.com

© DEN HARTOG INDUSTRIES, INC.

Copyright. All information furnished within this document, electronic file or design correspondence is the property of Den Hartog Industries, Inc. and shall not be used, disclosed to others or copied without the expressed written consent of Den Hartog Industries, Inc.

OP1825-RT



STACK 3 HIGH UPSIDE DOWN FOR STORAGE

| | | | | | | |
|---|--------------------------------|---|------|--------------------------|--|---|
| C | RAISED CIRCULAR CENTER REMOVED | ADH 12/29/10 | 2144 | DRAWN / DATE | MATERIAL | <p>Den Hartog INDUSTRIES, INC. Ace Roto-Mold Injection Molding Blow Molding Sowjoy 4010 HOSPERS DRIVE S. BOX 425, HOSPERS, IOWA 51238-0421</p> |
| B | INSIDE BASE DIMENSIONS ADDED | ADH 8/3/09 | 1902 | ADH 6/25/08 | | |
| A | ADDED CORNER HOLE | REH 1/5/09 | 1775 | APPRD. / DATE | NOTES: | |
| REV | DESCRIPTION | BY / DATE | CCN | REH 7/1/08 | | |
| ALL DIMENSIONS ARE IN DECIMAL INCHES TOLERANCES UNLESS OTHERWISE SPECIFIED | | THIRD ANGLE PROJECTION ANSI 14.5M | | SHOT WEIGHT: 540 LB. | DESCRIPTION 1825 GALLON CONTAINMENT TANK SCALE N.S. PART NO. OP1825-RT | |
| POLYETHYLENE | | MATERIAL | | SHIPPING WEIGHT: 520 LB. | | |
| ±1% @ 68°F | | METAL DECIMAL ± .125" FRACTION ± 1/4" ANGLE ± 1° | | FINISH: BEAD BLAST | | |