



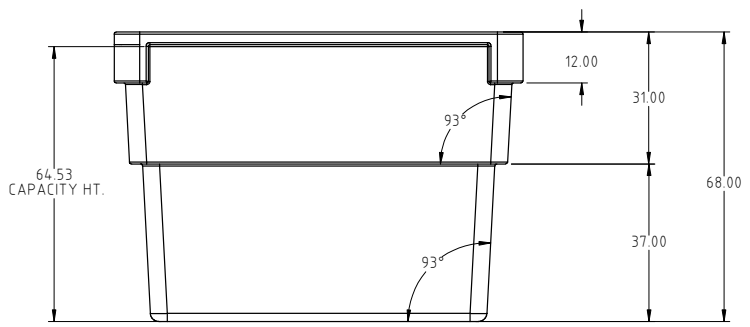
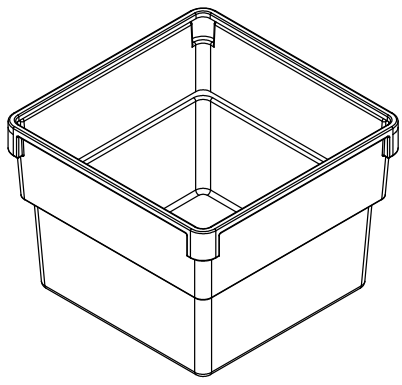
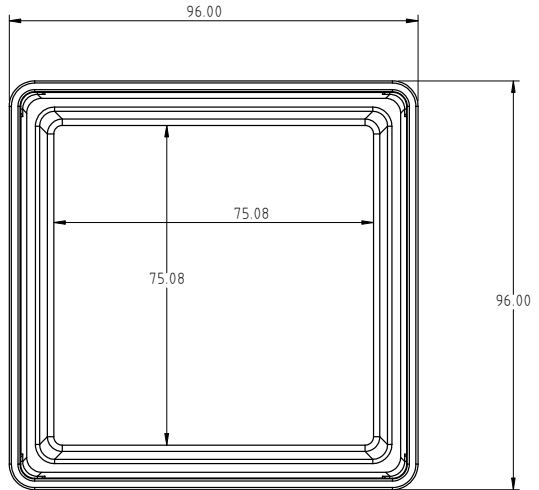
if it flows,
we go with it

1.800.665.4499
barrplastics.com


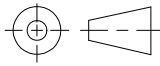
© DEN HARTOG INDUSTRIES, INC.

Copyright: All information furnished within this document, electronic file or design correspondence is the property of Den Hartog Industries, Inc. and shall not be used, disclosed to others or copied without the expressed written consent of Den Hartog Industries, Inc.

OP2000-RT



STACK 3 HIGH UPSIDE DOWN FOR STORAGE

		DRAWN / DATE REH //6/15/10		MATERIAL 10538 POWDER	 Den Hartog INDUSTRIES, INC. Ace Roto-Mold Injection Molding Blow Molding Sowjoy 4010 HOSPERS DRIVE S. BOX 425, HOSPERS, IOWA 51238-0421
		APPRD / DATE DHJ 12/16/10			
REV	DESCRIPTION	BY / DATE	CCN	SHOT WEIGHT: 632 LBS.	NOTES: 1. NATURAL COLOR STD. 2. NOMINAL WALL = .500
ALL DIMENSIONS ARE IN DECIMAL INCHES TOLERANCES UNLESS OTHERWISE SPECIFIED POLYETHYLENE METAL ±1% @ 68°F DECIMAL ± .125" FRACTION ± 1/4" ANGLE ± 1°		THIRD ANGLE PROJECTION ANSI 14.5M		SHIPPING WEIGHT: 570 LBS.	
				FINISH: BEAD BLAST	DESCRIPTION 2000 GALLON CONTAINMENT TANK
				SCALE N.S.	PART NO. OP2000-RT