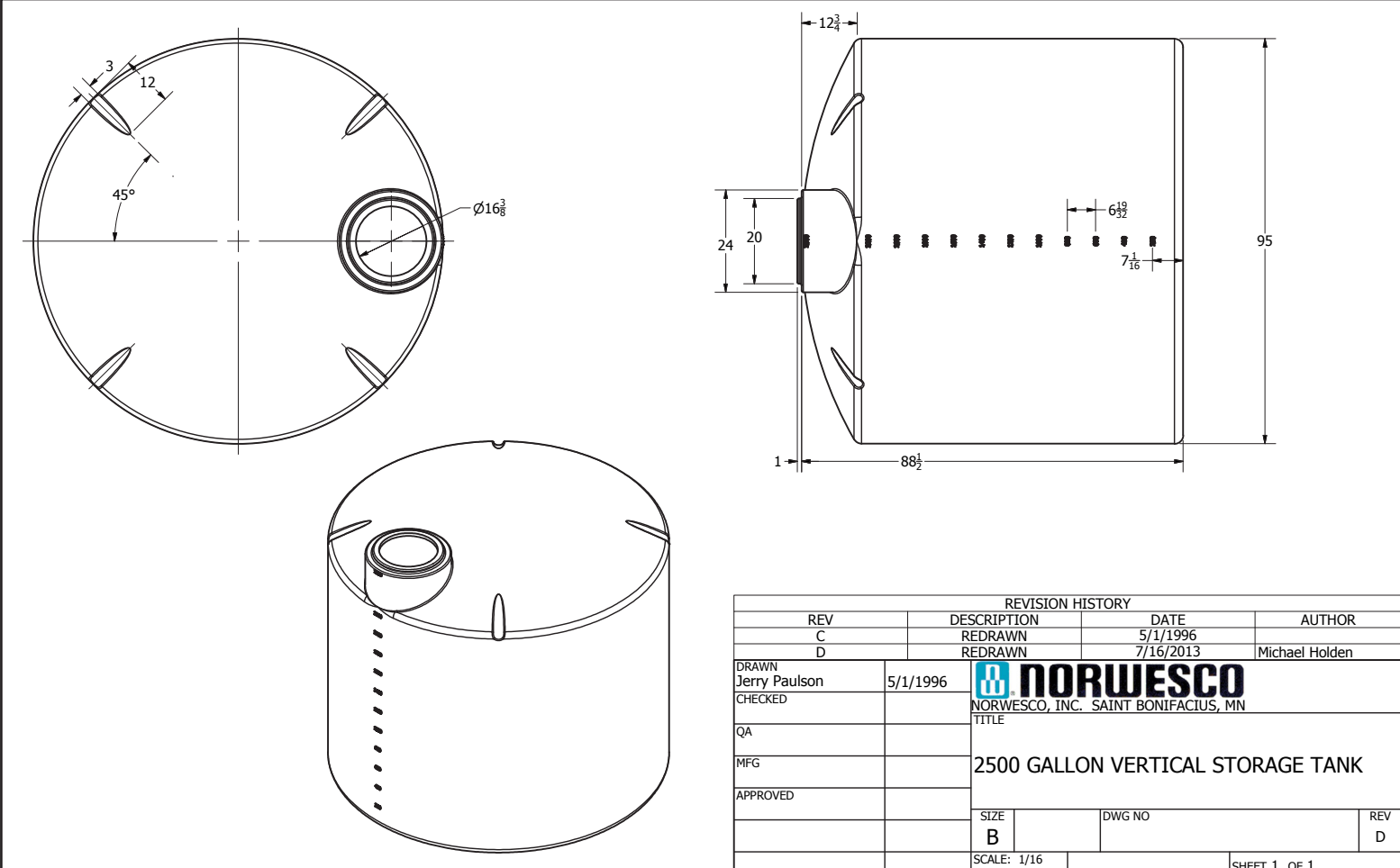




if it flows,
we go with it

1.800.665.4499
barrplastics.com



REVISION HISTORY			
REV	DESCRIPTION	DATE	AUTHOR
C	REDRAWN	5/1/1996	
D	REDRAWN	7/16/2013	Michael Holden

DRAWN Jerry Paulson	5/1/1996	 NORWESCO, INC. SAINT BONIFACIUS, MN TITLE	
CHECKED			
QA			
MFG			
APPROVED			
SIZE B		DWG NO	REV D
SCALE: 1/16		SHEET 1 OF 1	