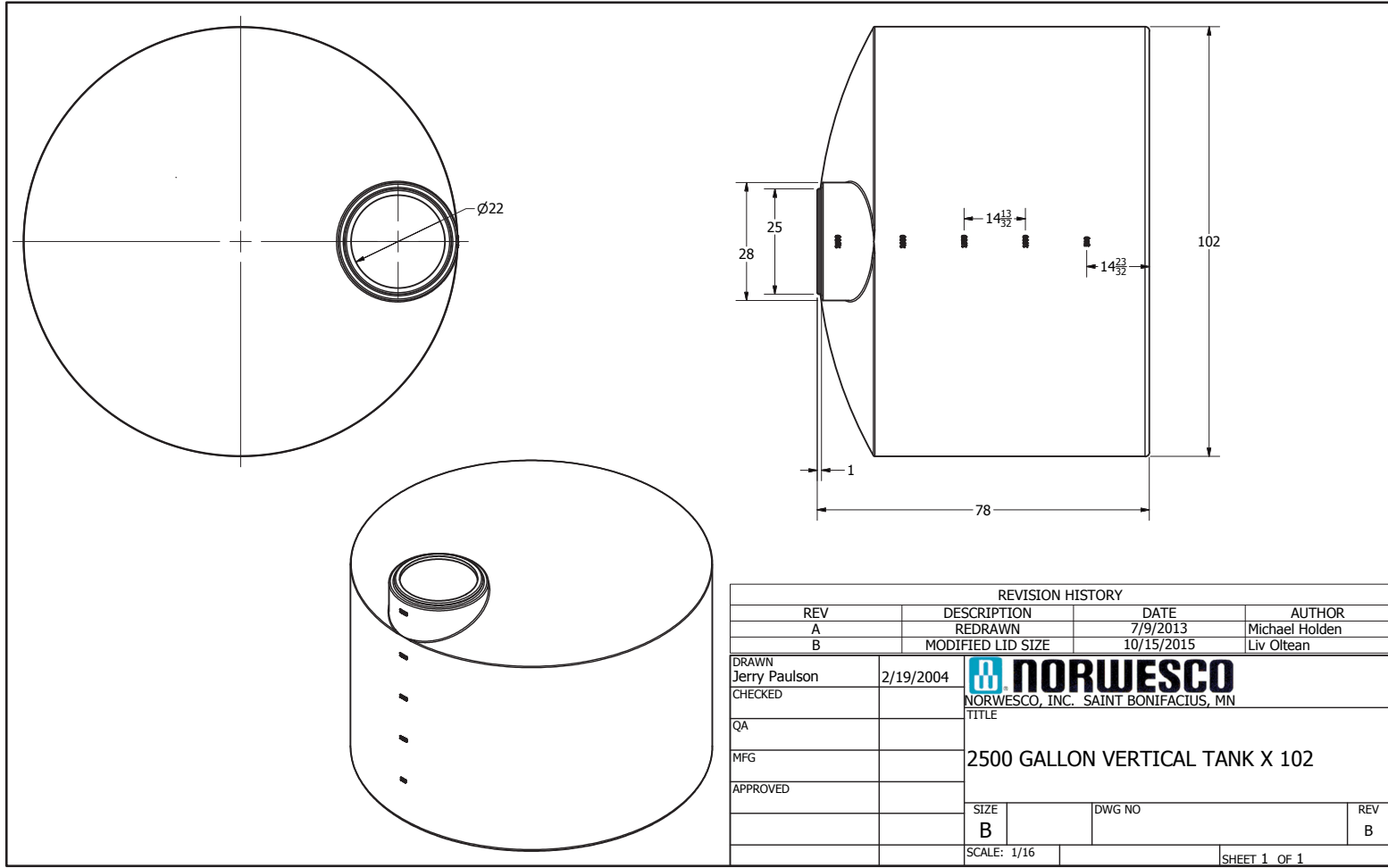




if it flows,
we go with it

1.800.665.4499
barrplastics.com



REVISION HISTORY			
REV	DESCRIPTION	DATE	AUTHOR
A	REDRAWN	7/9/2013	Michael Holden
B	MODIFIED LID SIZE	10/15/2015	Liv Oltean

DRAWN Jerry Paulson	2/19/2004	 NORWESCO, INC. SAINT BONIFACIUS, MN TITLE		
CHECKED				
QA				
MFG				
APPROVED				
		SIZE B	DWG NO	REV B
		SCALE: 1/16	SHEET 1 OF 1	