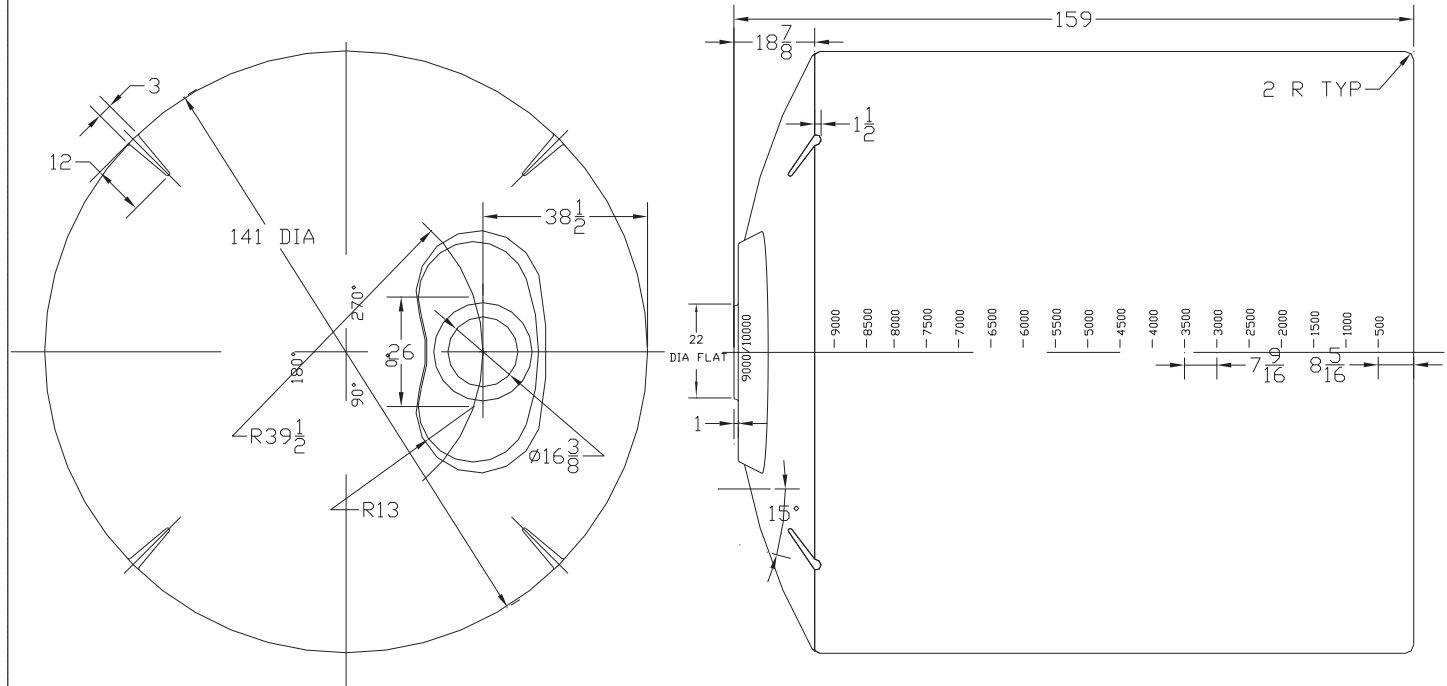




if it flows,
we go with it

1.800.665.4499
barrplastics.com

NORWESCO		REV
ST. BONIFACIUS, MN		
10000 USG (37,850 LTRS)		
VERTICAL TANK		
1804 WT LBS	Part No 41379	



HANFORD

ALL INFORMATION CONTAINED IN THIS DRAWING IS STRICTLY CONFIDENTIAL AND PROPERTY OF BARR PLASTICS INC. NO PART SHALL BE COPIED OR REPRODUCED WITHOUT THE WRITTEN CONSENT OF BARR PLASTICS INC.

Customer Drawing Approval

Customer _____

Barr Plastic Inc. _____



DATE: 22 SEP 05

PROJECT: - TANK APPROVAL DWG

CLIENT: -

DRAWING REF: -

SCALE: -

REV: -

MATERIAL SPECIFICATIONS

HDPE 1.5 SPG

ALL FITTINGS ARE POLYPROPYLENE WITH EPDM GASKETS