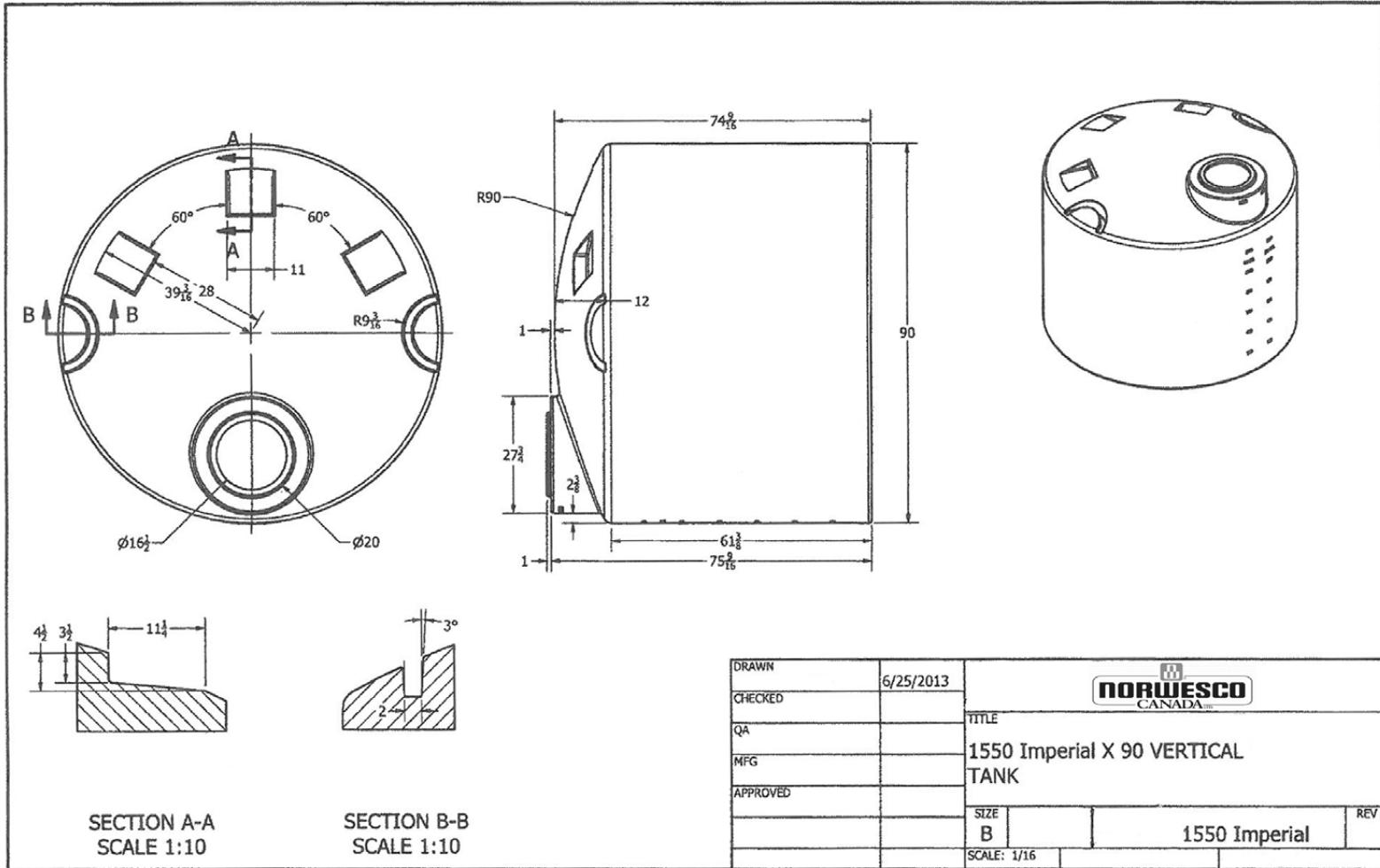




if it flows,  
we go with it

1.800.665.4499  
barrplastics.com



SECTION A-A  
SCALE 1:10

SECTION B-B  
SCALE 1:10

DRAWN	6/25/2013			
CHECKED				
QA		1550 Imperial X 90 VERTICAL TANK		
MFG		TANK		
APPROVED		SIZE	1550 Imperial	REV
		B		
		SCALE: 1/16		