

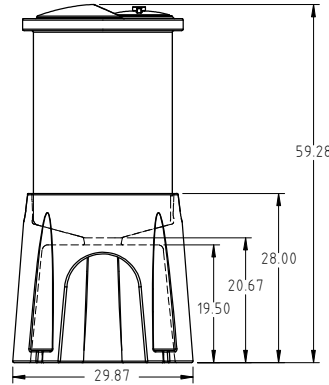


if it flows,
we go with it

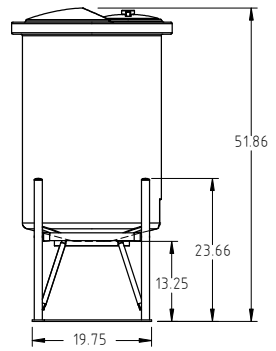
1.800.665.4499
barrplastics.com

© DEN HARTOG INDUSTRIES, INC.

Copyright: All information furnished within this document, electronic file or design correspondence is the property of Den Hartog Industries, Inc. and shall not be used, disclosed to others or copied without the expressed written consent of Den Hartog Industries, Inc.

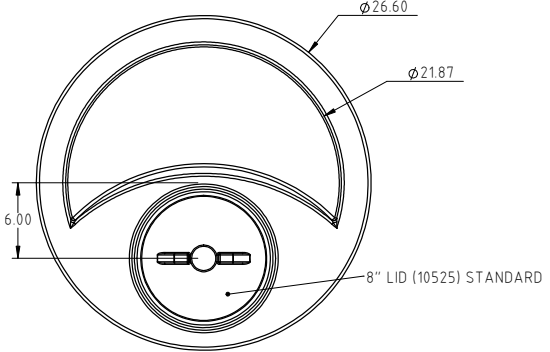
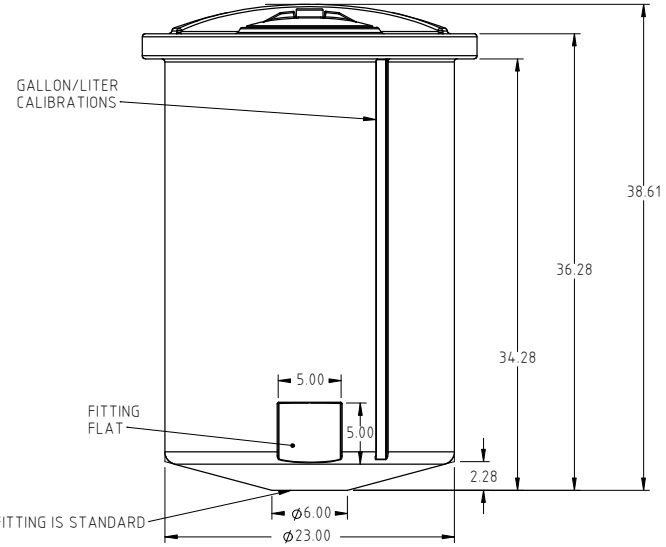



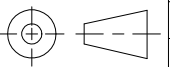
OC023-STP POLY STAND



CB023-15ST METAL STAND

CB0055-23

				DRAWN / DATE	MATERIAL	 <p>Den Hartog INDUSTRIES, INC.</p> <p><small>Acc Rotomold Injection Molding Blow Molding Sowjoy</small></p> <p>4010 HOSPERS DRIVE S. BOX 425, HOSPERS, IOWA 51238-0425</p>			
				ADH 7/12/10	10420				
				APPRD. / DATE					
REV	DESCRIPTION	BY / DATE	CCN	REH 4/18/11		NOTES: 1.) 0.19 WALL THICKNESS			
ALL DIMENSIONS ARE IN DECIMAL INCHES TOLERANCES UNLESS OTHERWISE SPECIFIED				THIRD ANGLE PROJECTION ANSI 14.5M	SHOT WEIGHT: 24.00 LBS SHIPPING WEIGHT: 26.00 LBS	DESCRIPTION 23" DIA. X 55 GALLON CONE BOTTOM			
POLYETHYLENE ±1% @ 68°F		METAL DECIMAL ± .125" FRACTION ± 1/4" ANGLE ± 1°			FINISH:	SCALE	PART NO. CB0055-23		