



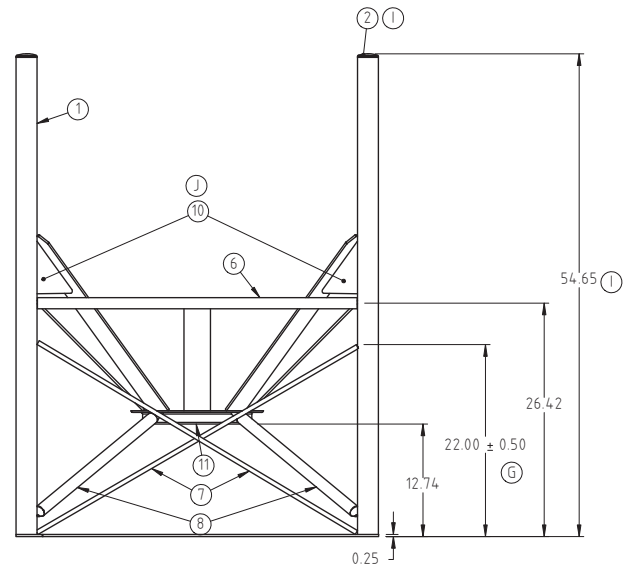
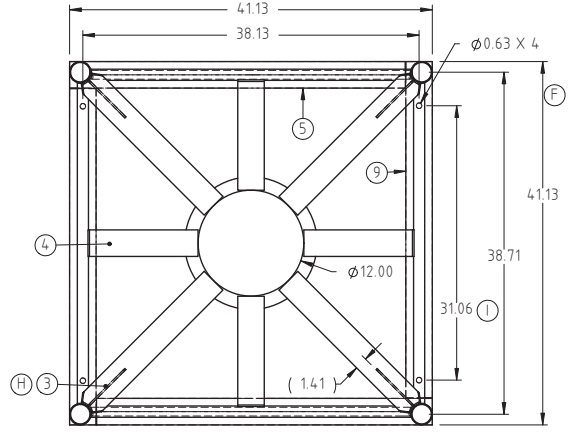
if it flows,
we go with it

1.800.665.4499
barrplastics.com

© DEN HARTOG INDUSTRIES, INC.
Copyright. All information furnished within this document, electronic file or design correspondence is the property of Den Hartog Industries, Inc. and shall not be used, disclosed to others or copied without the expressed written consent of Den Hartog Industries, Inc.

KEY	PART NUMBER	MATERIAL	DESCRIPTION	QTY.
1	CB052-45ST-1	P20000	2" SIZE TUBING	4
2	12687	62202	2" PIPE PLUG	4
3	CB052-45ST-3	S-2500	SHEET, 1/4" MILD STEEL	4
4	CB052-45ST-4	B02500X30000	1/4 X 3 FLAT BAR	4
5	CB052-45ST-5	B02500X30000	1/4 X 3 FLAT BAR	2
6	CB052-45ST-6	P10000	1" SIZE TUBING	4
7	CB052-45ST-7	R05000	1/2" MILD STEEL ROD	4
8	CB052-45ST-8	T1000X01090	1" OD ROUND MILD X .109	4
9	CB052-45ST-9	B02500X30000	1/4 X 3 FLAT BAR	2
10	CB052-45ST-10	S-1875	6" X 6" GUSSET	4
11	RAR-12	RAR-12	ROLLED ANGLE, 12" PLAIN	1


CB052-45ST K



K	750 GAL. TANK ADDED TO DESCRIPTION	ADH 1/10/20	3905
J	CB052-45ST-10 ADDED TO STAND. BOM TABLE LAYOUT UPDATED.	ADH 11/14/19	3886
I	12687 WAS CB052-45ST-2, 31.06 WAS 31.13, 54.56 WAS 54.25	ADH 6/18/09	1888
H	SUPPORT STRAP DESIGN MODIFIED	ADH 2/6/09	1797
G	DIMENSION ADDED	ADH 3/27/08	1636
F	HOLES ADDED	ADH 1/16/08	1565
E	TOLERANCE WAS 1% @ 68 F	GWC 3/8/07	
D	ISOLATED STAND CHANGED PN	NVE 5/17/06	

C	CHANG PART NO. TO CB0345-52	10/5/04	
B	ADD FITTING INFORMATION	10/5/04	
A	FINALIZE PART	9/15/04	
REV	DESCRIPTION	BY / DATE	CCN

DRAWN / DATE	MATERIAL
ADH 6/18/07	
APPRD. / DATE	
REH 7/12/07	



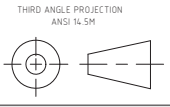
Den Hartog
INDUSTRIES, INC.

Ace Roto-Mold Injection Molding Blow Molding Sowjoy

4010 HOSPERS DRIVE S. BOX 425, HOSPERS, IOWA 51238-0421

ALL DIMENSIONS ARE IN DECIMAL INCHES TOLERANCES UNLESS OTHERWISE SPECIFIED

POLYETHYLENE	METAL
±1% @ 68° F	DECIMAL ± .125" FRACTION ± 1/4" ANGLE ± 1°



SHOT WEIGHT:	NOTES:
SHIPPING WEIGHT:	
FINISH:	

DESCRIPTION	52" DIA STAND FOR 345, 500, 750 GAL CONE BOTTOM TANKS
SCALE	
	PART NO. CB052-45ST