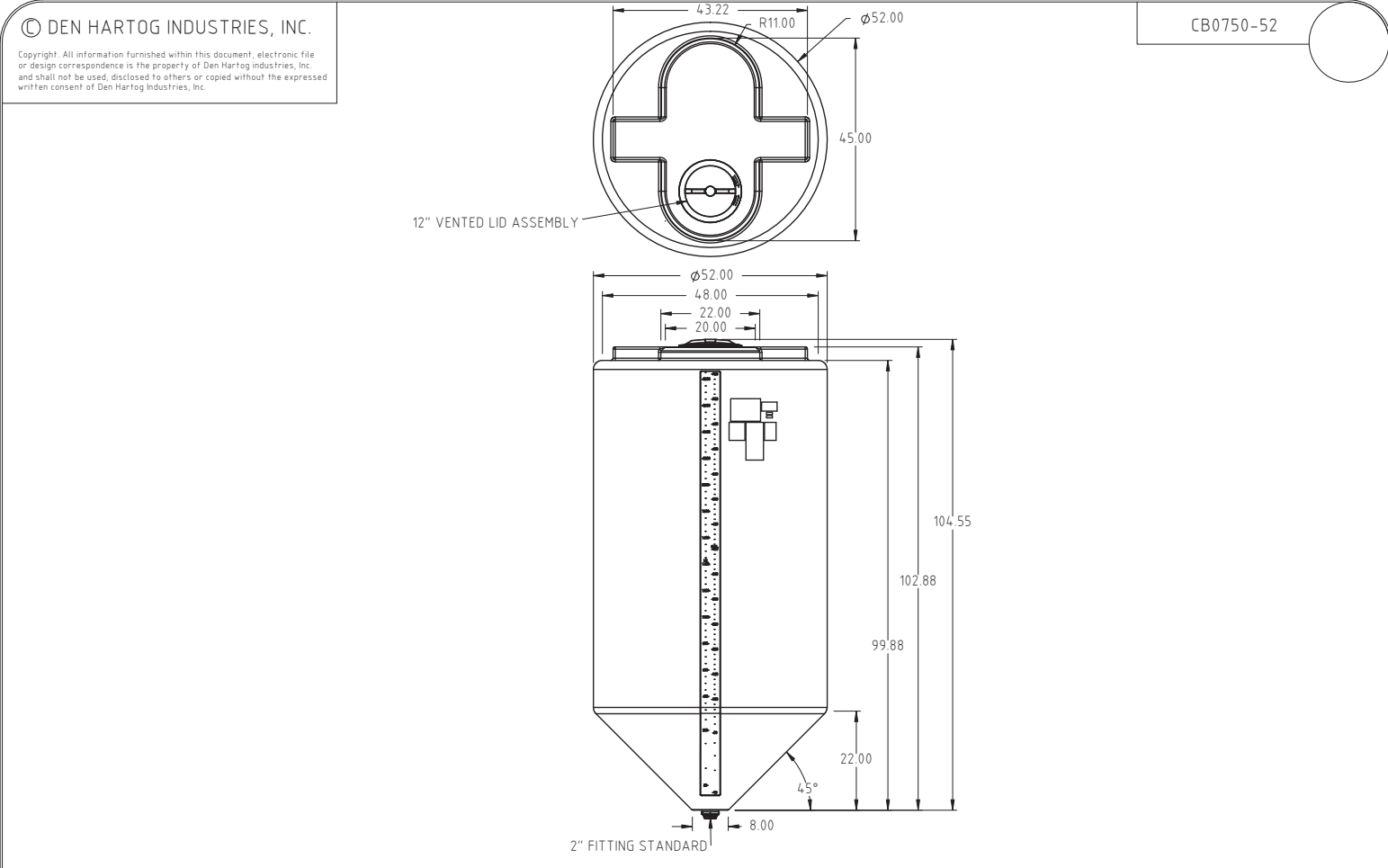




if it flows,
we go with it

1.800.665.4499
barrplastics.com



© DEN HARTOG INDUSTRIES, INC. <small>Copyright. All information furnished within this document, electronic file or design correspondence is the property of Den Hartog Industries, Inc. and shall not be used, disclosed to others or copied without the expressed written consent of Den Hartog Industries, Inc.</small>		CB0750-52	
ALL DIMENSIONS ARE IN DECIMAL INCHES TOLERANCES UNLESS OTHERWISE SPECIFIED		THIRD ANGLE PROJECTION ANSI 14.5M	
POLYETHYLENE ±1% @ 68° F	METAL DECIMAL ± .125" FRACTION ± 1/4" ANGLE ± 1°	SHOT WEIGHT: 168.50 LBS SHIPPING WEIGHT: 170.50 LBS FINISH: NA	MATERIAL: HDPE OR EQUIVALENT <small>REFERENCE MATERIAL DATA SHEET FOR SPECIFIC PROPERTIES.</small> NOTES: 1.) NOM. WALL @ 0.288
DRAWN / DATE: ADH 10/14/19 APPROD. / DATE: REH 11/14/19		MATERIAL: HDPE OR EQUIVALENT <small>REFERENCE MATERIAL DATA SHEET FOR SPECIFIC PROPERTIES.</small>	
REV: [] DESCRIPTION: [] BY / DATE: [] CCN: []		NOTES: []	
DESCRIPTION: 750 GALLON CONE BOTTOM TANK, Ø52"		SCALE: N.S. PART NO. CB0750-52	
ADDRESS: 4010 HOSPERS DRIVE S. BOX 425, HOSPERS, IOWA 51238-0425		PHONE: [] FAX: []	

This document contains proprietary information. It is intended solely for use of potential clients involved or to be involved in a transaction with BARR Plastics Inc.

© 2019 BARR PLASTICS INC