



if it flows,
we go with it

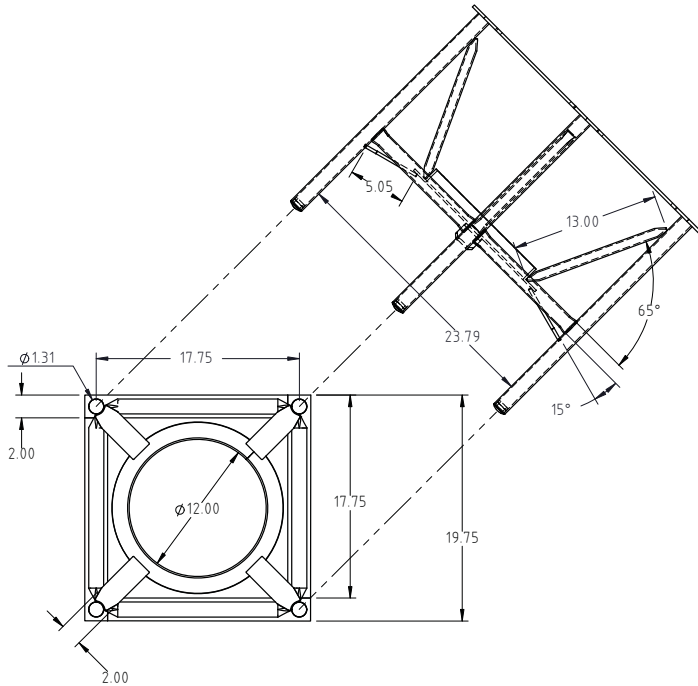
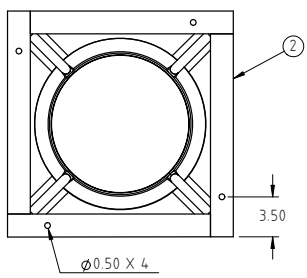
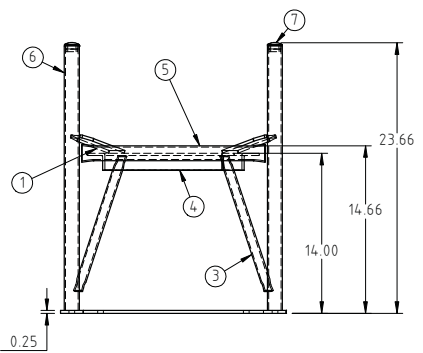
1.800.665.4499
barrplastics.com

© DEN HARTOG INDUSTRIES, INC.

Copyright: All information furnished within this document, electronic file or design correspondence is the property of Den Hartog Industries, Inc. and shall not be used, disclosed to others or copied without the expressed written consent of Den Hartog Industries, Inc.

| KEY | PART NUMBER | DESCRIPTION | QTY |
|-----|--------------|-------------------------|-----|
| 1 | CB023-15ST-1 | TANK SUPPORT STRAP | 4 |
| 2 | CB023-15ST-2 | BASE STRAP | 4 |
| 3 | CB023-15ST-3 | LOW SUPPORT | 4 |
| 4 | RAR-12 | ROLLED ANGLE, 12" PLAIN | 1 |
| 5 | CB023-15ST-5 | SIDE TUBE | 4 |
| 6 | CB023-15ST-6 | LEG TUBE | 4 |
| 7 | 12583 | 1" PIPE PLUG | 4 |

CB023-15ST



| | | | | | | | |
|---|--|---|--|--|-----|-------------------------------|----------|
| REV | | DESCRIPTION | | BY / DATE | CCN | DRAWN / DATE ADH 1/3/11 | MATERIAL |
| | | | | | | APPRD. / DATE REH 8/24/11 | |
| ALL DIMENSIONS ARE IN DECIMAL INCHES TOLERANCES UNLESS OTHERWISE SPECIFIED | | | | THIRD ANGLE PROJECTION ANSI 14.5M | | SHOT WEIGHT: 37.00 LBS | NOTES: |
| POLYETHYLENE ±1% @ 68° F | | METAL DECIMAL ± .125" FRACTION ± 1/4" ANGLE ± 1° | | | | SHIPPING WEIGHT: 37.00 LBS | |
| | | | | FINISH: POWDER COATING, BLACK TILE, 40012 | | | |

Den Hartog
INDUSTRIES, INC.

Ace Roto-Mold Injection Molding Blow Molding Sowjoy

4010 HOSPERS DRIVE S. BOX 425, HOSPERS, IOWA 51238-0421

| | | |
|-------------|--|---------------------|
| DESCRIPTION | STAND FOR 15" X Ø23.00" CONE BOTTOM TANK | |
| SCALE | N.S. | PART NO. CB023-15ST |