



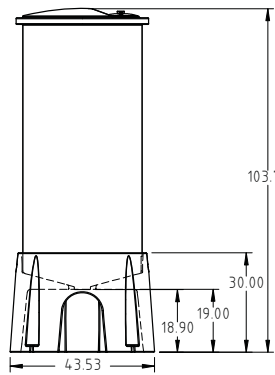
if it flows,
we go with it

1.800.665.4499
barrplastics.com

CB0325-36

© DEN HARTOG INDUSTRIES, INC.

Copyright: All information furnished within this document, electronic file or design correspondence is the property of Den Hartog Industries, Inc. and shall not be used, disclosed to others or copied without the expressed written consent of Den Hartog Industries, Inc.



OC036-STP POLY STAND

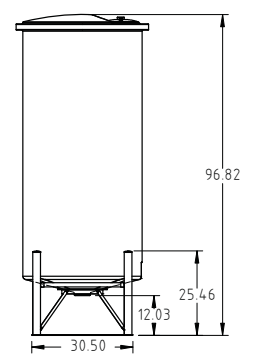
103.70

30.00

18.90

19.00

4.353



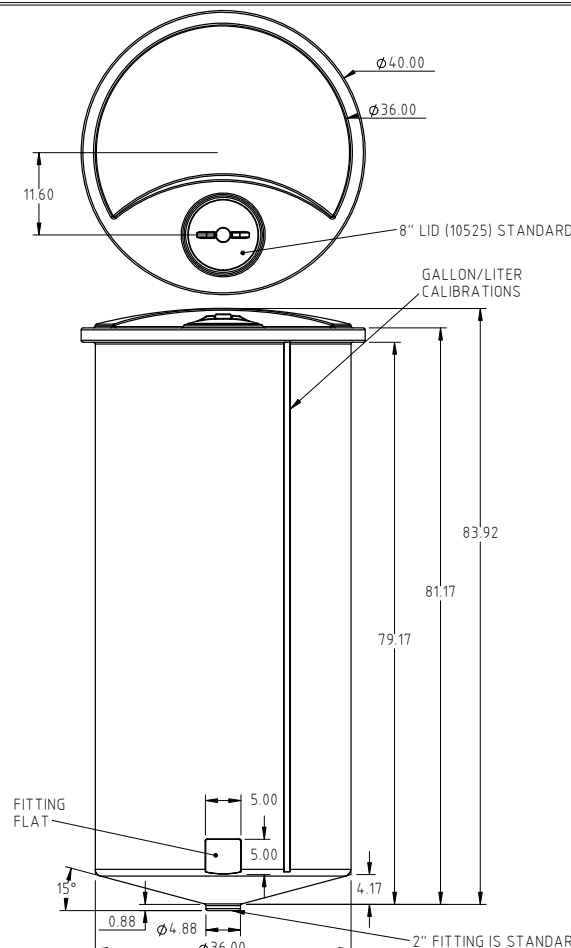
CB036-15ST METAL STAND

96.82

25.46

12.03

30.50



Ø40.00

Ø36.00

11.60

8" LID (10525) STANDARD

GALLON/LITER CALIBRATIONS

83.92

81.17

79.17

5.00

5.00

15°

0.88


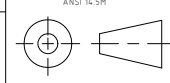
Ø4.88

Ø36.00

2" FITTING IS STANDARD

4.17

FITTING FLAT

			DRAWN / DATE ADH 7/12/10	MATERIAL 10420	 <p>Den Hartog INDUSTRIES, INC.</p> <p><small>Aca Roto-Mold Injection Molding Blow Molding Sowjoy</small></p> <p><small>4010 HOSPERS DRIVE S. BOX 425, HOSPERS, IOWA 51238-0425</small></p>
			APPRD. / DATE REH 4/18/11		
REV	DESCRIPTION	BY / DATE	CCN	SHOT WEIGHT: 90.00 LBS	NOTES: 1.) 0.22 WALL THICKNESS
	ALL DIMENSIONS ARE IN DECIMAL INCHES TOLERANCES UNLESS OTHERWISE SPECIFIED			SHIPPING WEIGHT: 92.00 LBS	
	POLYETHYLENE ±1% @ 68°F	METAL DECIMAL ± .125" FRACTION ± 1/4" ANGLE ± 1°	 <p>THIRD ANGLE PROJECTION ANSI 14.5M</p>	FINISH:	DESCRIPTION 36" DIA. X 325 GALLON CONE BOTTOM
					SCALE N.S.
					PART NO. CB0325-36

This document contains proprietary information. It is intended solely for use of potential clients involved or to be involved in a transaction with BARR Plastics Inc. Such proprietary information may not be used, reproduced, or disclosed for any other purpose without the expressed written permission.

© 2019 BARR PLASTICS INC