



if it flows,  
we go with it

1.800.665.4499  
barrplastics.com

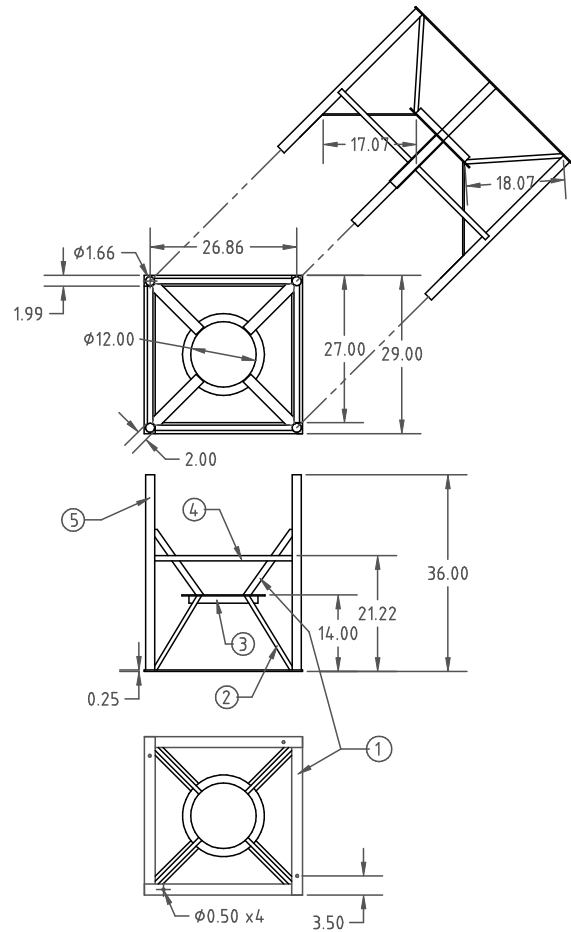
PROPRIETARY DATA

PROPERTY OF ACE ROTO-MOLD MFG., INC. INFORMATION FURNISHED HEREIN IS THE PROPERTY OF ACE ROTO-MOLD MFG., INC. AND SHALL NOT BE USED, DISCLOSED TO OTHERS, OR COPIED WITHOUT THE EXPRESSED WRITTEN CONSENT OF ACE ROTO-MOLD MFG., INC. ALL RIGHTS RESERVED.

KEY	PART NUMBER	DESCRIPTION	QTY.
1	B02500X20000	1/4 X 2 FLAT	180 IN
2	P05000	1/2" SIZE TUBING	71 IN
3	RAR-12	12" ROLLED ANGLE	1
4	T1000X01090	1" OD ROUND MILD X .109	101 IN
5	T1660X01090	1.66 RD MILD STL FULL	144 IN

CB036-45ST

A



				DRAWN / DATE DHJ 4/16/04		MATERIAL MILD STEEL		 ACE ROTO-MOLD A DIVISION OF DEN HARTOG INDUSTRIES, INC. 4018 HWY. 60 BLVD., BOX 421, HOSPERS, IOWA 51238	
A				ADDED HOLE SPACING DIMS AND B.O.M. 5/15/06 NVE		APPRD. / DATE		CLIENT / DESCRIPTION STAND FOR 45° 150 GALLON CONE BOTTOM TANK	
REV				DESCRIPTION		DATE		APPRD	
ALL DIMENSIONS ARE IN DECIMAL INCHES TOLERANCES UNLESS OTHERWISE SPECIFIED $\pm$ 1% @ 68° F				THIRD ANGLE PROJECTION ANSI 14.5M 		NOTES: 1. BLACK COLOR - POWDER COATED 2. WEIGHT 63 LBS.		SCALE N.S.	
								PART NO. CB036-45ST	