

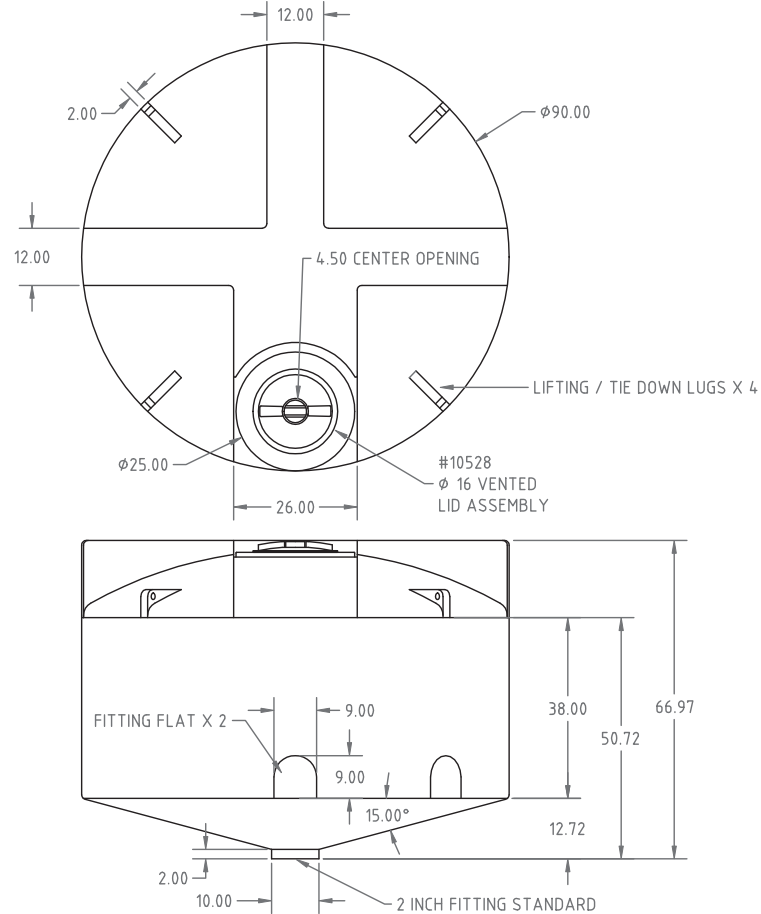


if it flows,
we go with it

1.800.665.4499
barrplastics.com

© DEN HARTOG INDUSTRIES, INC.
Copyright: All information furnished within this document, electronic file or design correspondence is the property of Den Hartog Industries, Inc. and shall not be used, disclosed to others or copied without the expressed written consent of Den Hartog Industries, Inc.

CB1150-90



REV	DESCRIPTION	BY / DATE	CCN	DRAWN / DATE DHJ 1/7/11	MATERIAL 10420
				APPRD. / DATE REH 2/2/11	
				SHOT WEIGHT: 24.0 LBS.	NOTES: 1. THICKNESS @ BOTTOM SIDE WALL .200
				SHIPPING WEIGHT: 24.2 LBS.	
				FINISH:	

Den Hartog
INDUSTRIES, INC.

Ace Roto-Mold Injection Molding Blow Molding Sowjoy
4010 HOSPERS DRIVE S. BOX 425, HOSPERS, IOWA 51238-0425

DESCRIPTION 1150 GALLON 90" DIA. X 15° CONE BOTTOM TANK W/ INDUSTRIAL TOP	
SCALE N.S.	PART NO. CB1150-90

ALL DIMENSIONS ARE IN DECIMAL INCHES
TOLERANCES UNLESS OTHERWISE SPECIFIED

POLYETHYLENE ±1% @ 68° F	METAL DECIMAL ± .125" FRACTION ± 1/4" ANGLE ± 1°
-----------------------------	---

