

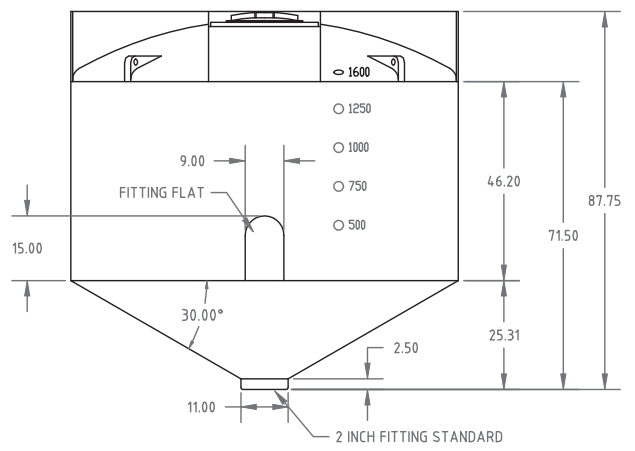
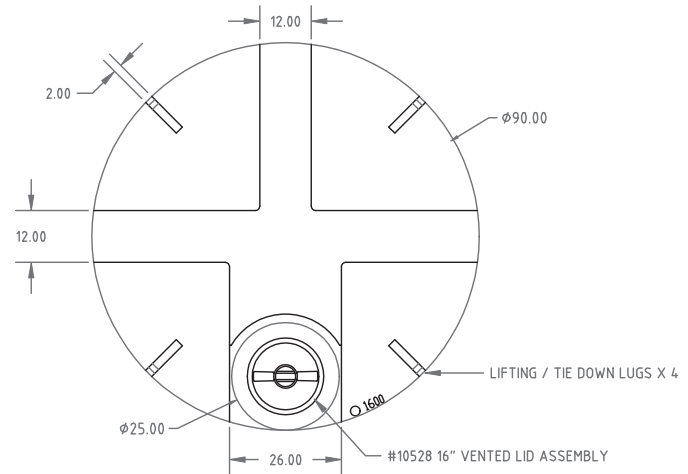


if it flows,
we go with it


1.800.665.4499
barrplastics.com

© DEN HARTOG INDUSTRIES, INC.
Copyright. All information furnished within this document, electronic file or design correspondence is the property of Den Hartog Industries, Inc. and shall not be used, disclosed to others or copied without the expressed written consent of Den Hartog Industries, Inc.

CB1550-90



REV	DESCRIPTION	BY / DATE	CCN	DRAWN / DATE DHJ 1/3/11	MATERIAL 104.20 3 MELT
				APPRD. / DATE REH 2/2/11	
	ALL DIMENSIONS ARE IN DECIMAL INCHES TOLERANCES UNLESS OTHERWISE SPECIFIED	THIRD ANGLE PROJECTION ANSI 14.5M		SHOT WEIGHT: 284 LBS.	NOTES: 1. THICKNESS @ BOTTOM SIDEWALL .326
	POLYETHYLENE ±1% @ 68° F	METAL DECIMAL ± .125" FRACTION ± 1/4" ANGLE ± 1°		SHIPPING WEIGHT: 286 LBS.	



Den Hartog
INDUSTRIES, INC.

Ace Roto-Mold Injection Molding Blow Molding Saw-Joy
4010 HOSPERS DRIVE S. BOX 425, HOSPERS, IOWA 51238-0425

DESCRIPTION	1550 GALLON 90" DIA. X 30° CONE BOTTOM TANK W/ INDUSTRIAL TOP	
SCALE	N.S.	PART NO. CB1550-90

This document contains proprietary information. It is intended solely for use of potential clients involved or to be involved in a transaction with BARR Plastics Inc. Such proprietary information may not be used, reproduced, or disclosed for any other purpose without the expressed written permission.

© 2019 BARR PLASTICS INC