



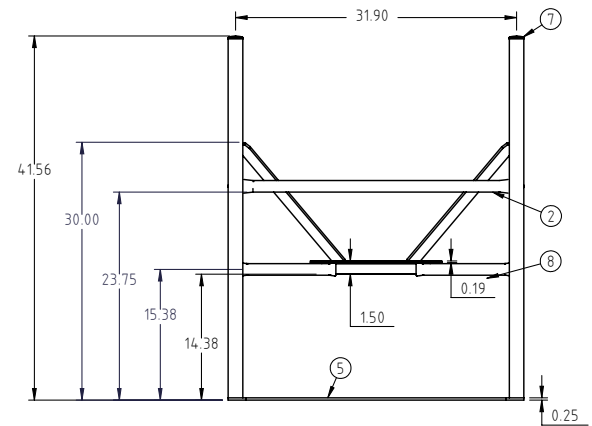
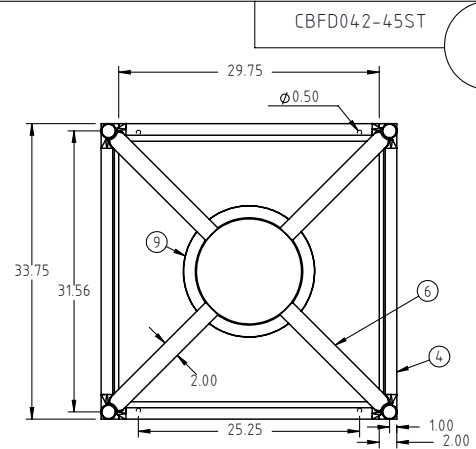
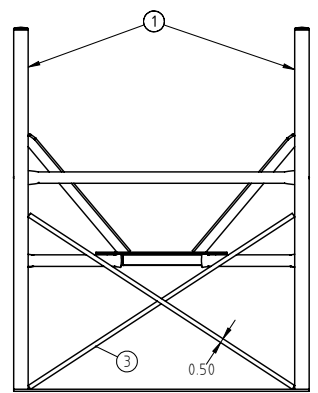
if it flows,
we go with it

1.800.665.4499
barrplastics.com

© DEN HARTOG INDUSTRIES, INC.

Copyright: All information furnished within this document, electronic file or design correspondence is the property of Den Hartog Industries, Inc. and shall not be used, disclosed to others or copied without the expressed written consent of Den Hartog Industries, Inc.

KEY	PART NUMBER	DESCRIPTION	QTY.
1	CBFD042-45ST-1	LEG TUBE	4
2	CBFD042-45ST-2	SIDE SUPPORT TUBE	4
3	CB042-45ST-3	ROD	4
4	CB042-45ST-4	BASE STRAP	2
5	CB042-45ST-5	STAND BASE STRAP	2
6	CBFD042-45ST-6	TANK SUPPORT STRAP	4
7	12686	1-1/2" PIPE PLUG	4
8	CB042-45ST-8	SIDE SUPPORT TUBE	4
9	RAR-12	ROLLED ANGLE, 12" PLAIN	1



REV	DESCRIPTION	BY / DATE	CCN	DRAWN / DATE ADH 9/27/10	MATERIAL
				APPRD. / DATE DHJ 9/28/10	
ALL DIMENSIONS ARE IN DECIMAL INCHES TOLERANCES UNLESS OTHERWISE SPECIFIED				SHOT WEIGHT:	NOTES:
THIRD ANGLE PROJECTION ANSI 14.5M				SHIPPING WEIGHT: 82.00 LBS	
POLYETHYLENE ±1% @ 68°F METAL DECIMAL ± .125" FRACTION ± 1/4" ANGLE ± 1°				FINISH: POWDER COATING, BLACK TILE, 4.0012	



Den Hartog
INDUSTRIES, INC.

Ace Roto-Mold Injection Molding Blow Molding Sowjoy
4010 HOSPERS DRIVE S. BOX 425, HOSPERS, IOWA 51238-0421

DESCRIPTION	STAND FOR 45°, Ø42.00" FULL DRAIN, CONE BOTTOM TANKS	
SCALE	N.S.	PART NO. CBFD042-45ST

This document contains proprietary information. It is intended solely for use of potential clients involved or to be involved in a transaction with BARR Plastics Inc. Such proprietary information may not be used, reproduced, or disclosed for any other purpose without the expressed written permission.

© 2019 BARR PLASTICS INC