



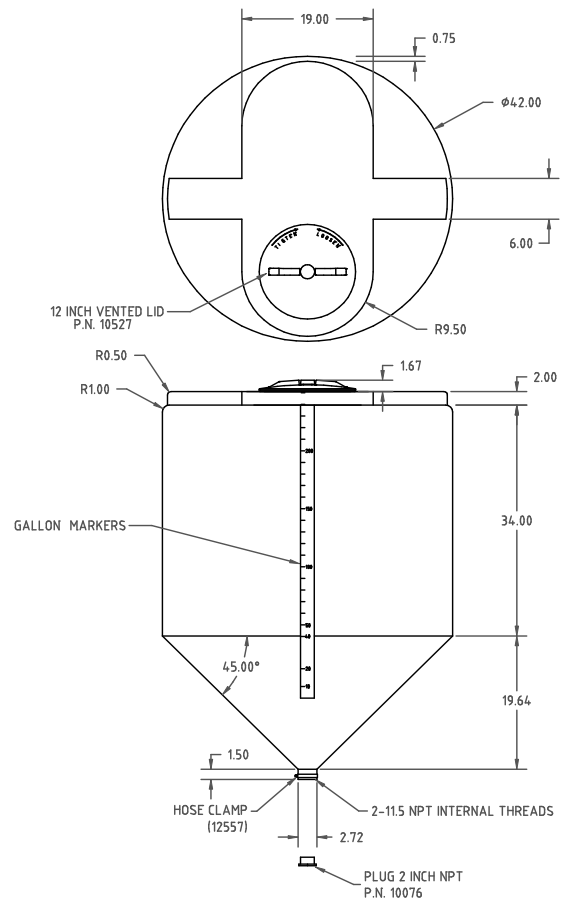
if it flows,
we go with it

1.800.665.4499
barrplastics.com

© DEN HARTOG INDUSTRIES, INC.

Copyright: All information furnished within this document, electronic file or design correspondence is the property of Den Hartog Industries, Inc. and shall not be used, disclosed to others or copied without the expressed written consent of Den Hartog Industries, Inc.

CBFD240-42



DRAWN / DATE DHJ 2/24/10		MATERIAL MEDIUM DENSITY POLYETHYLENE	
APPRD. / DATE REH 5/26/10		NOTES:	
REV	DESCRIPTION	BY / DATE	CCN
ALL DIMENSIONS ARE IN DECIMAL INCHES TOLERANCES UNLESS OTHERWISE SPECIFIED			
POLYETHYLENE		THIRD ANGLE PROJECTION ANSI 14.5M	
±1% @ 68° F		SHOT WEIGHT: 75 LBS. SHIPPING WEIGHT: 77 LBS.	
METAL DECIMAL ± .125" FRACTION ± 1/4" ANGLE ± 1°		FINISH:	



Den Hartog
INDUSTRIES, INC.

Ace Roto-Mold Injection Molding Blow Molding Sowjoy
4010 HOSPERS DRIVE S. BOX 425, HOSPERS, IOWA 51238-0425

DESCRIPTION 240 GALLON FULL DRAIN CONE BOTTOM TANK	
SCALE N.S.	PART NO. CBFD240-42

This document contains proprietary information. It is intended solely for use of potential clients involved or to be involved in a transaction with BARR Plastics Inc. Such proprietary information may not be used, reproduced, or disclosed for any other purpose without the expressed written permission.

© 2019 BARR PLASTICS INC