

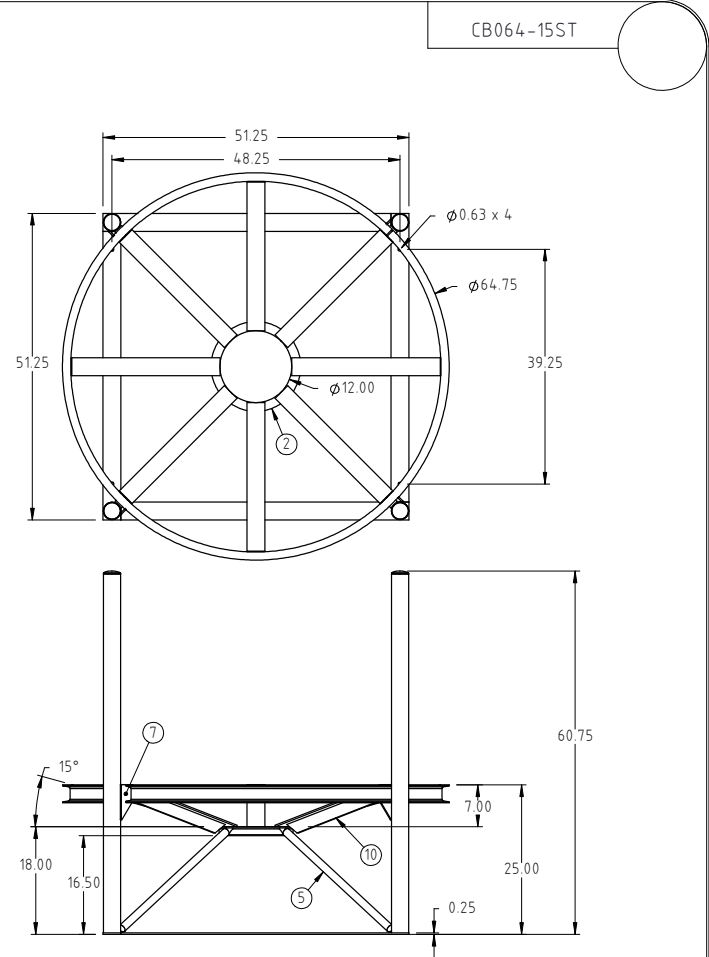
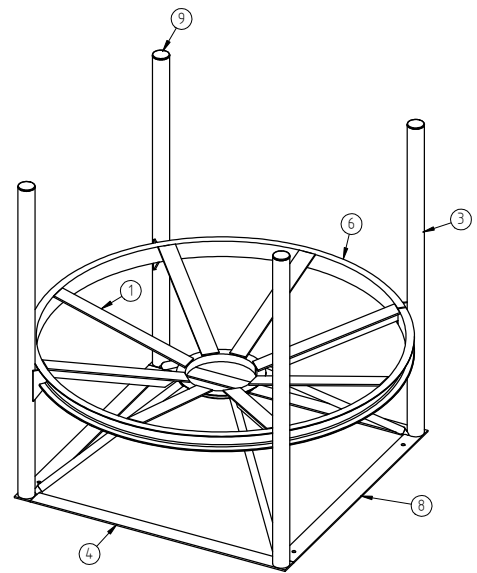


if it flows,
we go with it

1.800.665.4499
barrplastics.com

© DEN HARTOG INDUSTRIES, INC.
Copyright. All information furnished within this document, electronic file or design correspondence is the property of Den Hartog industries, Inc and shall not be used, disclosed to others or copied without the expressed written consent of Den Hartog Industries, Inc.

KEY	PART NUMBER	DESCRIPTION	QTY.
1	CB064-15ST-1	SIDE SUPPORT STRAP	8
2	RAR-12	ROLLED ANGLE, 12" PLAIN	1
3	CB064-45ST-3	LEG PIPE	4
4	CB064-45ST-4	BASE STRAP	2
5	CB064-15ST-5	ANGLED SUPPORT PIPE	4
6	CB064-45ST-6	3 INCH CHANNEL RING	1
7	SJ10306	BRACKET, CONE BOTTOM STAND	4
8	CB064-45ST-8	BASE STRAP-HOLES	2
9	12688	PIPE PLUG, 2-1/2" BLACK	4
10	CB064-15ST-2	SUPPORT STRAP	4



REV		DESCRIPTION	BY / DATE	CCN	DRAWN / DATE DHJ 11/30/15	MATERIAL	 Den Hartog INDUSTRIES, INC. Ace Roto-Mold Injection Molding Blow Molding Sowjoy 4010 HOSPERS DRIVE S. BOX 425, HOSPERS, IOWA 51238-0421
					APPRD. / DATE REH 12/15/15		
ALL DIMENSIONS ARE IN DECIMAL INCHES TOLERANCES UNLESS OTHERWISE SPECIFIED POLYETHYLENE ±1% @ 68°F			THIRD ANGLE PROJECTION ANSI 14.5M 		SHOT WEIGHT:	NOTES:	DESCRIPTION CB, $\phi 64$ "-15 DEG STAND
					SHIPPING WEIGHT: 320.00 LBS		SCALE N.S.
					FINISH: POWDER COATING, BLACK TILE, 40012		

This document contains proprietary information. It is intended solely for use of potential clients involved or to be involved in a transaction with BARR Plastics Inc.

© 2019 BARR PLASTICS INC