



if it flows,  
we go with it

1.800.665.4499  
barrplastics.com

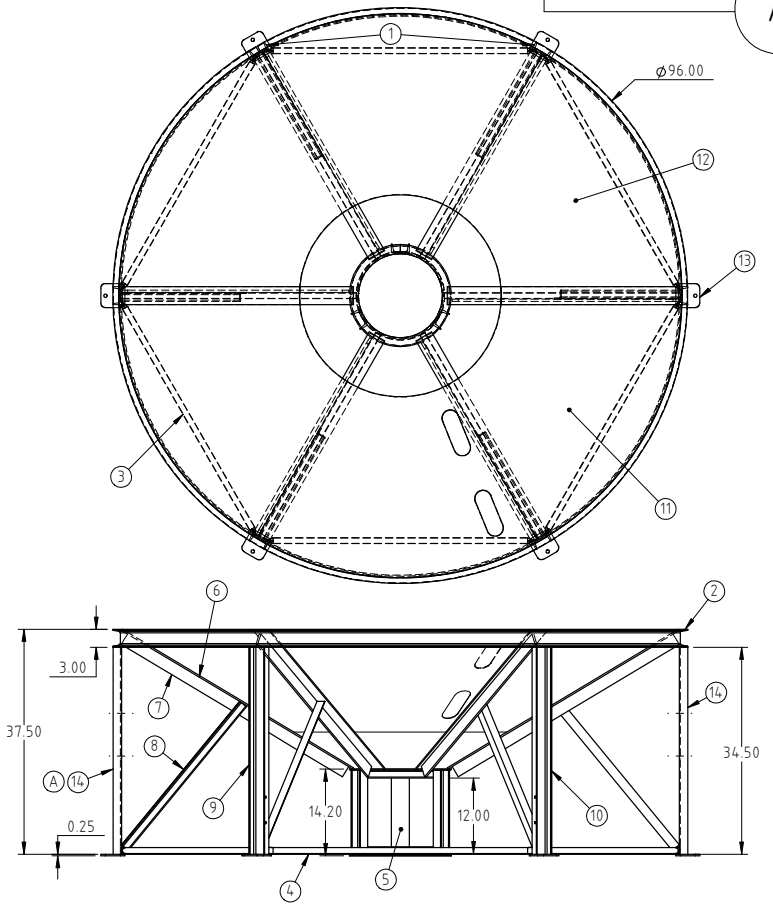
© DEN HARTOG INDUSTRIES, INC.

Copyright: All information furnished within this document, electronic file or design correspondence is the property of Den Hartog Industries, Inc. and shall not be used, disclosed to others or copied without the expressed written consent of Den Hartog Industries, Inc.


KEY	PART NUMBER	DESCRIPTION	QTY.
1	CB096-30ST-1	STAND LEG	2
2	CB096-30ST-2	CHANNEL RING	1
3	CB096-30ST-3	OUTSIDE BASE TUBING	6
4	CB096-30ST-4	CENTER TO LEG TUBING	6
5	12763	RING, CENTER STAND	3
6	CB096-30ST-6	SUPPORT STRAP	6
7	CB096-30ST-7	SUPPORT STRAP	6
8	CB096-30ST-8	ANGLE SUPPORT	6
9	CB096-30ST-9	STAND CHANNEL LEG (RIGHT)	1
10	CB096-30ST-10	STAND CHANNEL LEG (LEFT)	1
11	12764	PAN, W/HOLES	1
12	12765	PAN, NO HOLES	1
13	12750	1/4" X 4" X 4" LEG PAD	6
14	CB096-30ST-11	STAND LEGS, POWDER COAT	2

CB096-30ST

A



				DRAWN / DATE DHJ 10/25/09	MATERIAL
A	HOLES FOR POWDER COATING ADDED TO TWO LEGS COMPONENT TABLE UPDATED	ADH 7/22/11	2254	APPRD / DATE REH 12/5/09	
REV	DESCRIPTION	BY / DATE	CCN		
ALL DIMENSIONS ARE IN DECIMAL INCHES TOLERANCES UNLESS OTHERWISE SPECIFIED		THIRD ANGLE PROJECTION ANSI 14.5M		SHOT WEIGHT:	NOTES:
POLYETHYLENE	METAL DECIMAL ± .125" FRACTION ± 1/4" ANGLE ± 1°	SHIPPING WEIGHT: 553.00 LBS		FINISH:	
±1% @ 68°F				POWDER COATING, BLACK TILE, 40012	



**Den Hartog**  
INDUSTRIES, INC.

Acro Roto-Mold Injection Molding Blow Molding Sowjoy

4010 HOSPERS DRIVE S. BOX 425, HOSPERS, IOWA 51238-0425

DESCRIPTION Ø96 CONE BOTTOM 30° STAND	
SCALE N.S.	PART NO. CB096-30ST

This document contains proprietary information. It is intended solely for use of potential clients involved or to be involved in a transaction with BARR Plastics Inc.

© 2019 BARR PLASTICS INC