



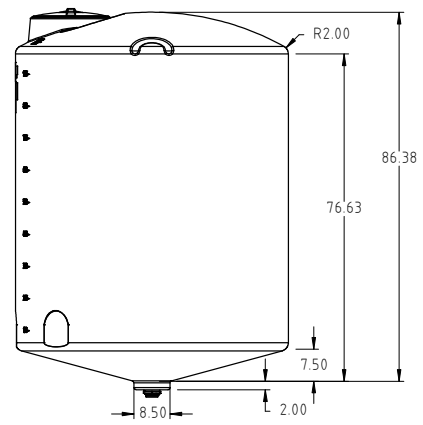
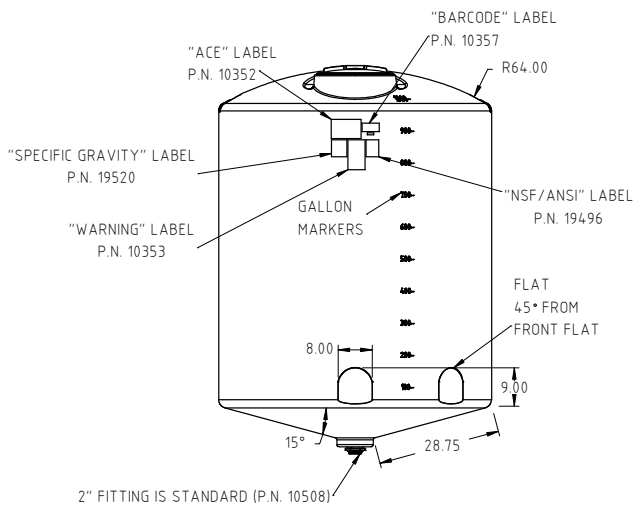
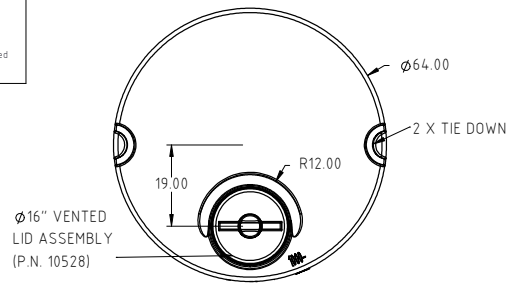
if it flows,
we go with it


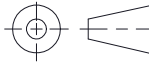
1.800.665.4499
barrplastics.com

© DEN HARTOG INDUSTRIES, INC.

CB1005-64

Copyright: All information furnished within this document, electronic file or design correspondence is the property of Den Hartog Industries, Inc. and shall not be used, disclosed to others or copied without the expressed written consent of Den Hartog Industries, Inc.



		DRAWN / DATE DHJ 1/27/16		MATERIAL POLYETHYLENE		 Den Hartog INDUSTRIES, INC. Ace Roto-Mold Injection Molding Blow Molding Sowjoy 4010 HOSPERS DRIVE S. BOX 425, HOSPERS, IOWA 51238-0425	
		APPRD. / DATE REH 3/7/17					
REV	DESCRIPTION	BY / DATE	CCN	SHOT WEIGHT: 220.00 LBS		DESCRIPTION 1000 GALLON 15 DEG CONE BOTTOM TANK	
ALL DIMENSIONS ARE IN DECIMAL INCHES TOLERANCES UNLESS OTHERWISE SPECIFIED POLYETHYLENE ±1% @ 68°F METAL DECIMAL ±.125" FRACTION ± 1/4" ANGLE ± 1°				THIRD ANGLE PROJECTION ANSI 14.5M 		NOTES: 1.) NOM. WALL @ 0.31"	
				SHIPPING WEIGHT: 222.00 LBS		SCALE N.S.	
				FINISH:		PART NO. CB1005-64	

This document contains proprietary information. It is intended solely for use of potential clients involved or to be involved in a transaction with BARR Plastics Inc.

© 2019 BARR PLASTICS INC

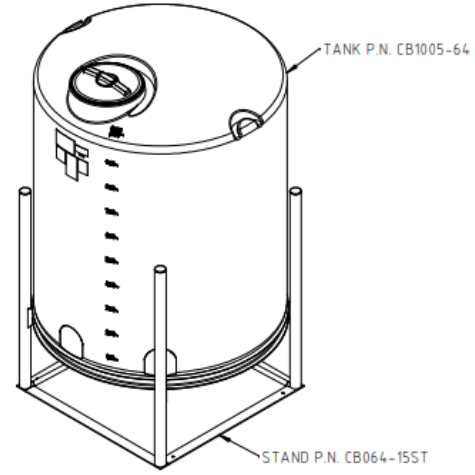
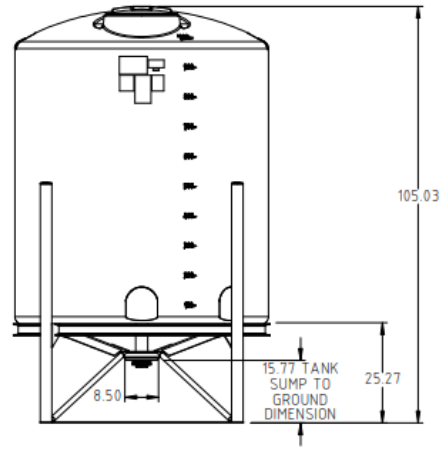
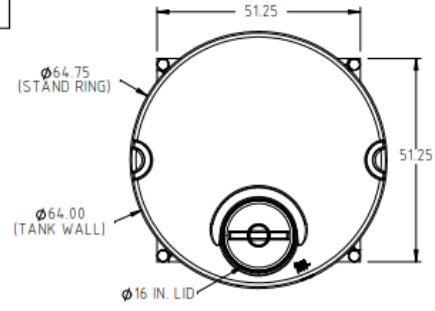


if it flows,
we go with it


1.800.665.4499
barrplastics.com

© DEN HARTOG INDUSTRIES, INC.
Copyright: All information furnished within this document, electronic file or design correspondence is the property of Den Hartog Industries, Inc. and shall not be used, disclosed to others or copied without the expressed written consent of Den Hartog Industries, Inc.

CB1005-64+64-15ST



REV	DESCRIPTION	BY / DATE	CCN	DRAWN / DATE ADH 2/14/17	MATERIAL SEE COMPONENTS
				APPRO. / DATE REH 3/7/17	
	ALL DIMENSIONS ARE IN DECIMAL INCHES TOLERANCES UNLESS OTHERWISE SPECIFIED	THIRD ANGLE PROJECTION ANSI 14.5M		SHOT WEIGHT:	NOTES:
	POLYETHYLENE ±1% @ 68°F	METAL DECIMAL ± .125" FRACTION ± 1/4" ANGLE ± 1°		SHIPPING WEIGHT: 542.00 LBS	
				FINISH:	



Den Hartog
INDUSTRIES, INC.

Ace Roto-Mold Injection Molding Blow Molding Sowjoy

4010 HOSPERS DRIVE S. BOX 425, HOSPERS, IOWA 51238-0425

DESCRIPTION	1000 GALLON 15 DEG CONE BOTTOM TANK AND STAND	
SCALE	N.S.	PART NO. CB1005-64+64-15ST