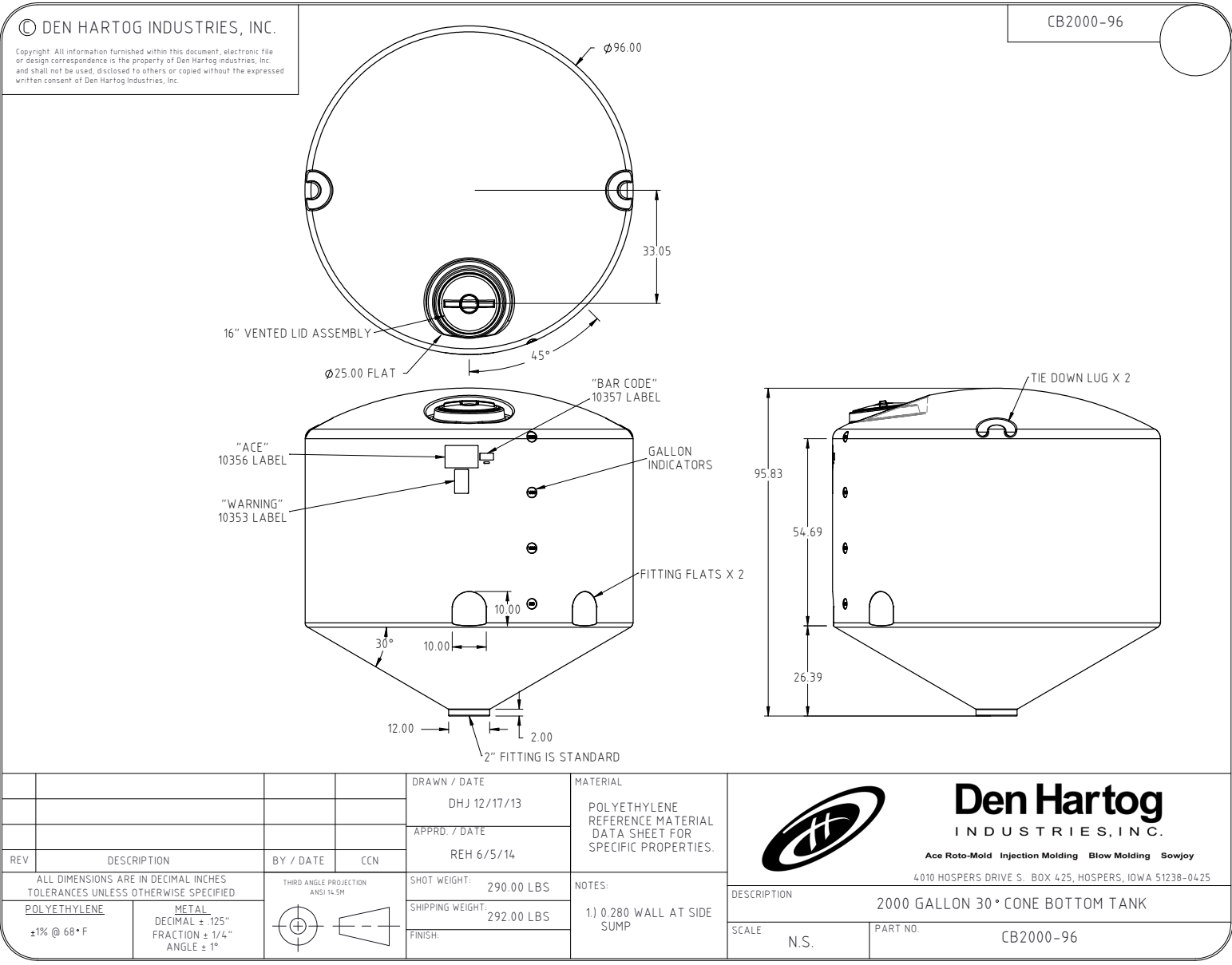




if it flows,  
we go with it

1.800.665.4499  
barrplastics.com



**Den Hartog**  
INDUSTRIES, INC.  
Ace Roto-Mold Injection Molding Blow Molding Sowjoy  
4010 HOSPERS DRIVE S. BOX 425, HOSPERS, IOWA 51238-0425