



if it flows,
we go with it

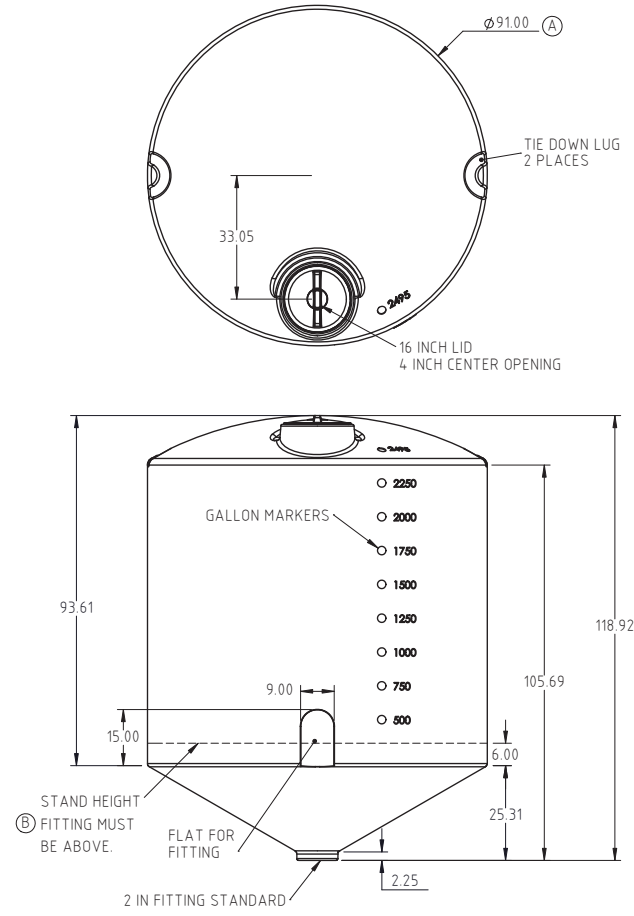
1.800.665.4499
barrplastics.com


© DEN HARTOG INDUSTRIES, INC.

Copyright: All information furnished within this document, electronic file or design correspondence is the property of Den Hartog Industries, Inc. and shall not be used, disclosed to others or copied without the expressed written consent of Den Hartog Industries, Inc.

CB2495-90

B



B		NOTE ADDED	ADH 11/28/19	3674	DRAWN / DATE	DHJ 3/25/11	MATERIAL	 Den Hartog INDUSTRIES, INC. Ace Roto-Mold Injection Molding Blow Molding Sowjoy 4010 HOSPERS DRIVE S. BOX 425, HOSPERS, IOWA 51238-0425
A		WAS 90	DHJ 5/19/17	3385	APPROD / DATE	XXXX	HDPE OR EQUIVALENT	
REV	DESCRIPTION		BY / DATE	CCN				
ALL DIMENSIONS ARE IN DECIMAL INCHES TOLERANCES UNLESS OTHERWISE SPECIFIED POLYETHYLENE ±1% @ 68°F			THIRD ANGLE PROJECTION ANSI 14.5M		SHOT WEIGHT: 485.00 LBS. SHIPPING WEIGHT: 487.00 LBS. FINISH:		NOTES:	DESCRIPTION 2495 GALLON CONE BOTTOM TANK 30 DEG. SCALE N.S. PART NO. CB2495-90