



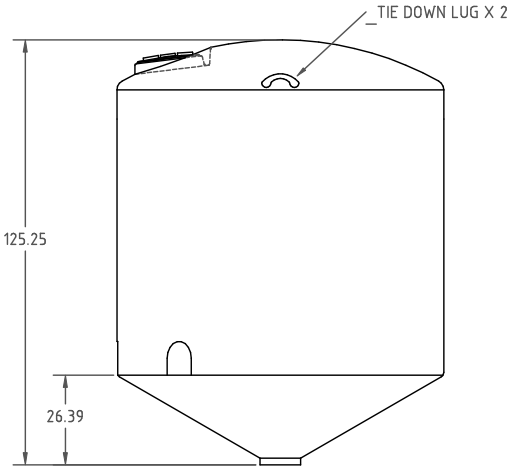
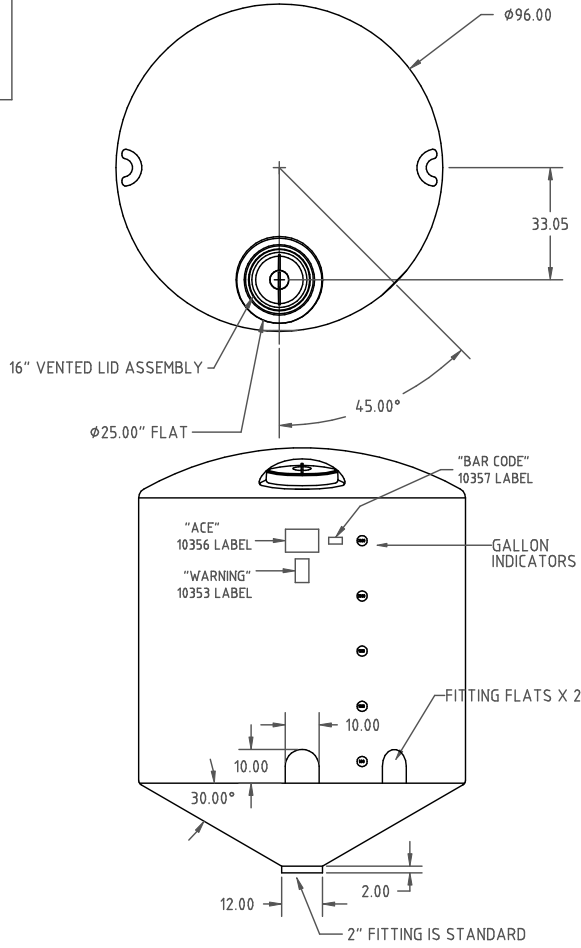
if it flows,
we go with it

1.800.665.4499
barrplastics.com


© DEN HARTOG INDUSTRIES, INC.

Copyright: All information furnished within this document, electronic file or design correspondence is the property of Den Hartog Industries, Inc. and shall not be used, disclosed to others or copied without the expressed written consent of Den Hartog Industries, Inc.

CB3000-96



REV	DESCRIPTION	BY / DATE	CCN	DRAWN / DATE DHJ 8/13/09	MATERIAL MDPE OR EQUIVALENT REFERENCE MATERIAL DATA SHEET FOR SPECIFIC PROPERTIES.
				APPRD. / DATE REH 10/10/09	
ALL DIMENSIONS ARE IN DECIMAL INCHES TOLERANCES UNLESS OTHERWISE SPECIFIED				SHOT WEIGHT: 550	NOTES: 1. .42 WALL AT SIDE SUMP
POLYETHYLENE				SHIPPING WEIGHT: 552	
METAL DECIMAL ± .125" FRACTION ± 1/4" ANGLE ± 1°				FINISH:	



Den Hartog
INDUSTRIES, INC.

Ace Roto-Mold Injection Molding Blow Molding Saw-Joy
4010 HOSPERS DRIVE S. BOX 425, HOSPERS, IOWA 51238-0425

DESCRIPTION	3000 GALLON 30° CONE BOTTOM TANK	
SCALE	N.S.	PART NO. CB3000-96

This document contains proprietary information. It is intended solely for use of potential clients involved or to be involved in a transaction with BARR Plastics Inc.

© 2019 BARR PLASTICS INC