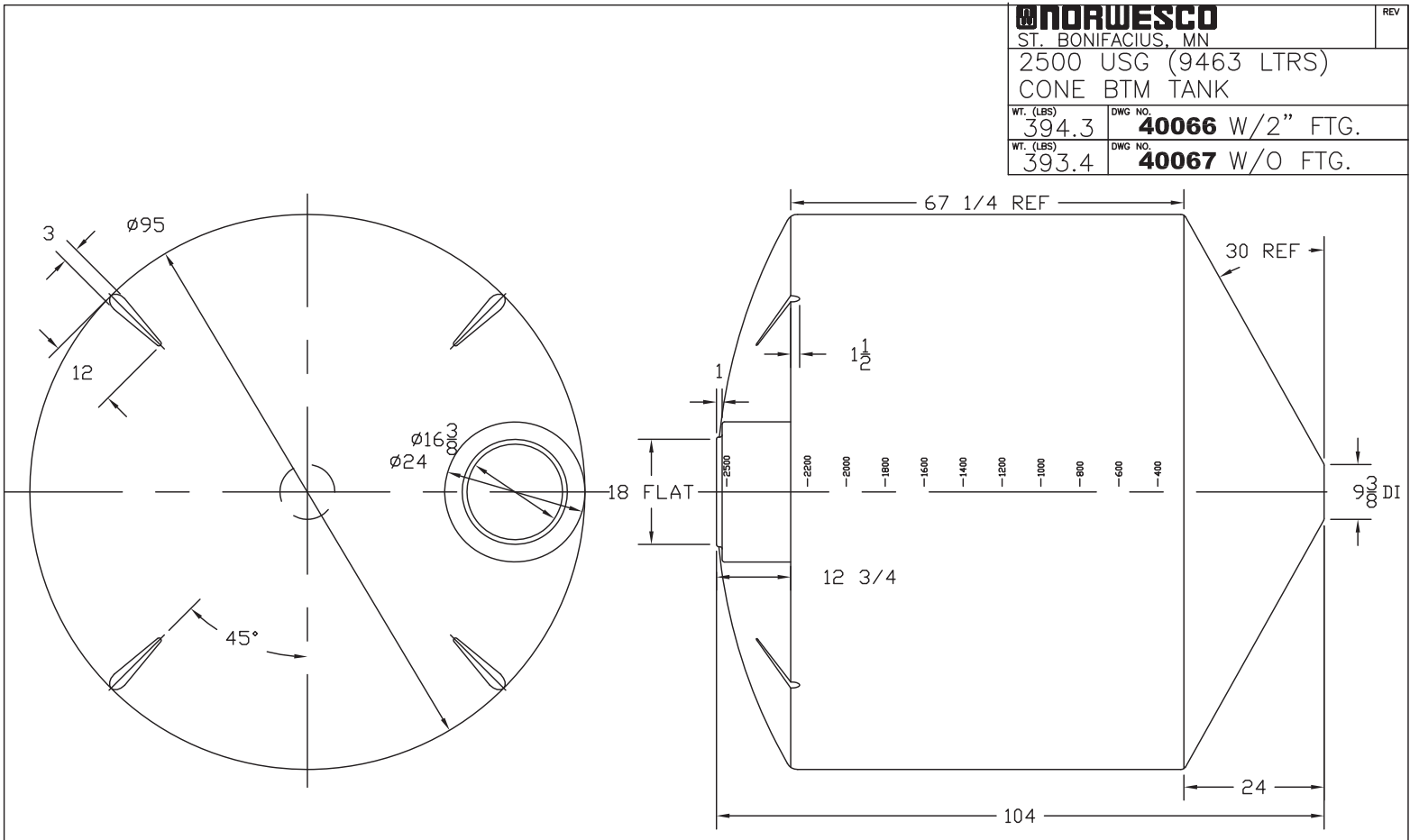




if it flows,
we go with it

1.800.665.4499
barrplastics.com



NORWESCO		REV
ST. BONIFACIUS, MN		
2500 USG (9463 LTRS)		
CONE BTM TANK		
WT. (LBS)	DWG NO.	
394.3	40066 W/2" FTG.	
WT. (LBS)	DWG NO.	
393.4	40067 W/O FTG.	

ALL INFORMATION CONTAINED IN THIS DRAWING IS STRICTLY CONFIDENTIAL AND PROPERTY OF BARR PLASTICS INC. NO PART SHALL BE COPIED OR REPRODUCED WITHOUT THE WRITTEN CONSENT OF BARR PLASTICS INC.

Customer Drawing Approval Customer _____ Barr Plastic Inc. _____ <small>H:\BPT SALES DWG\TANKS Norwesco_Snyder_Ace\Norwesco\Cone Bottom Tanks\2500.DWG</small>	 BARR Plastics Inc.	PROJECT: - TANK APPROVAL DWG	MATERIAL SPECIFICATIONS HDPE 1.5 SPG
		CLIENT: - DRAWING REF: -	ALL FITTINGS ARE POLYPROPYLENE WITH EPDM GASKETS
DATE: 18 AUG 05	SCALE: -	REV: -	

This document contains proprietary information. It is intended solely for use of potential clients involved or to be involved in a transaction with BARR Plastics Inc. Such proprietary information may not be used, reproduced, or disclosed for any other purpose without the expressed written permission.

© 2019 BARR PLASTICS INC