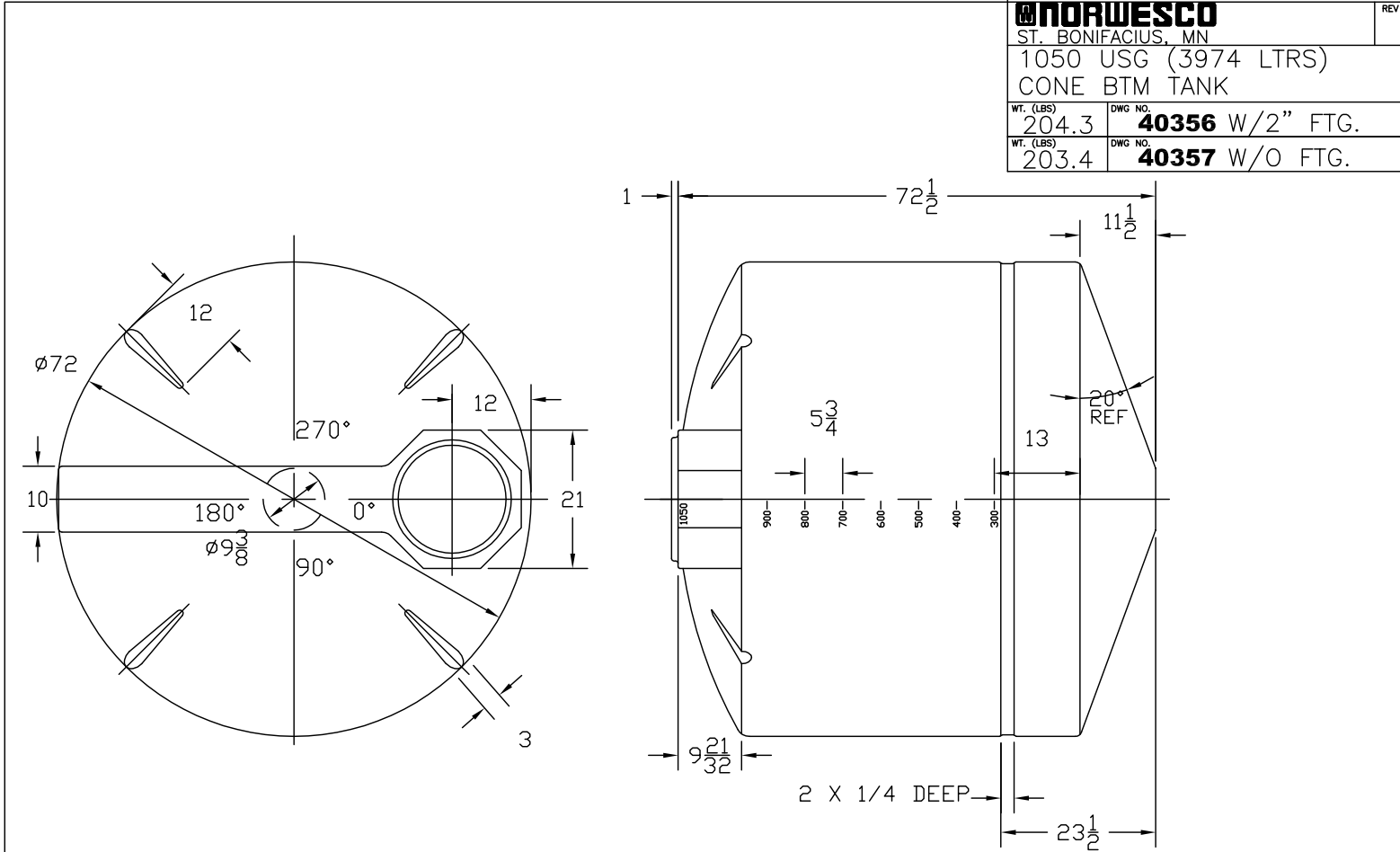




if it flows,  
we go with it

1.800.665.4499  
barrplastics.com



<b>NORWESCO</b>		REV
ST. BONIFACIUS, MN		
1050 USG (3974 LTRS)		
CONE BTM TANK		
WT. (LBS)	DWG NO.	
204.3	<b>40356</b> W/2" FTG.	
WT. (LBS)	DWG NO.	
203.4	<b>40357</b> W/O FTG.	

<p>ALL INFORMATION CONTAINED IN THIS DRAWING IS STRICTLY CONFIDENTIAL AND PROPERTY OF BARR PLASTICS INC. NO PART SHALL BE COPIED OR REPRODUCED WITHOUT THE WRITTEN CONSENT OF BARR PLASTICS INC.</p>	
<p><b>Customer Drawing Approval</b></p> <p>Customer _____</p> <p>Barr Plastic Inc. _____</p> <p>H:\BPT SALES DWG\TANKS Norwesco_Snyder_Ace\Norwesco\Cone Bottom Tanks\1050.DWG</p>	
<p>PROJECT:</p> <p>- TANK APPROVAL DWG</p> <p>CLIENT:</p> <p>-</p> <p>DRAWING REF:</p>	<p>MATERIAL SPECIFICATIONS</p> <p>HDPE 1.5 SPG</p> <p>ALL FITTINGS ARE POLYPROPYLENE WITH EPDM GASKETS</p>
<p>DATE:</p> <p>18 AUG 05</p>	<p>SCALE:</p> <p>-</p> <p>REV:</p> <p>-</p>

This document contains proprietary information. It is intended solely for use of potential clients involved or to be involved in a transaction with BARR Plastics Inc. Such proprietary information may not be used, reproduced, or disclosed for any other purpose without the expressed written permission.

© 2019 BARR PLASTICS INC