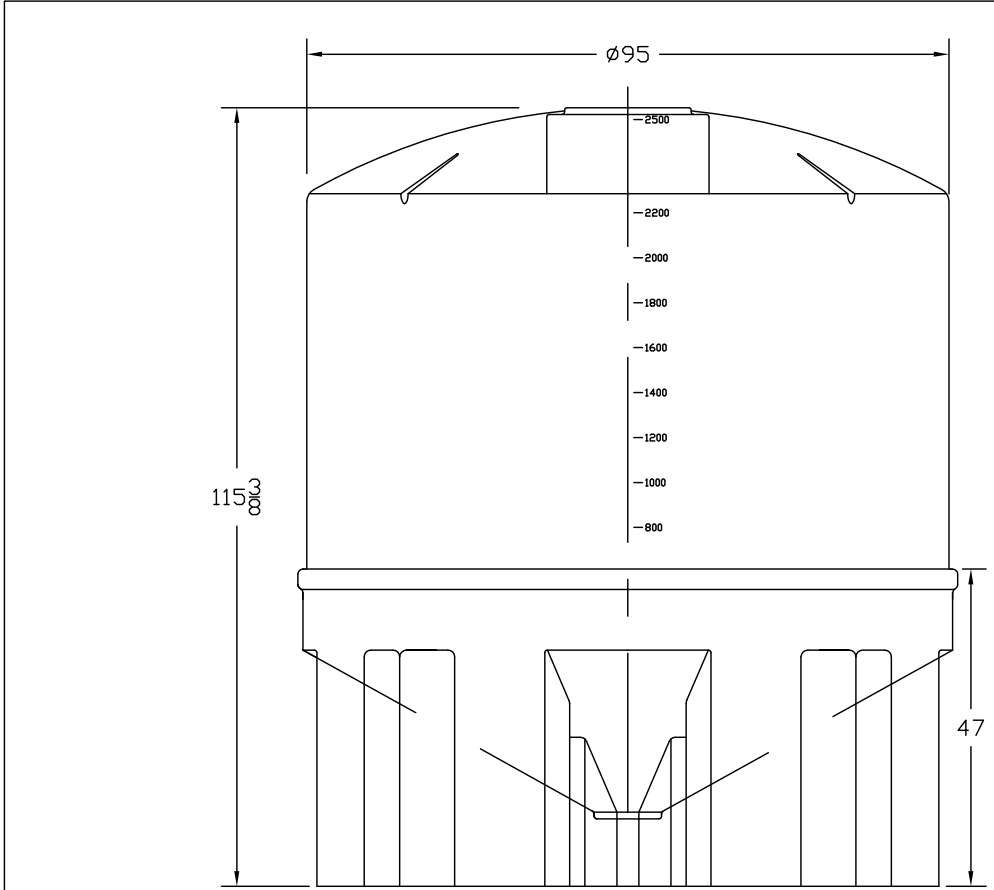




if it flows,
we go with it

1.800.665.4499
barrplastics.com



NORWESCO		REV
ST. BONIFACIUS, MN		
2500 USG (9463 LTRS)		
CONE BTM TANK WITH STAND		
WT. (LBS)	DWG NO.	
889.2	40672 W/2" FTG.	
WT. (LBS)	DWG NO.	
888.3	40673 W/O FTG.	

ALL INFORMATION CONTAINED IN THIS DRAWING IS STRICTLY CONFIDENTIAL AND PROPERTY OF BARR PLASTICS INC. NO PART SHALL BE COPIED OR REPRODUCED WITHOUT THE WRITTEN CONSENT OF BARR PLASTICS INC.

Customer Drawing Approval

Customer _____

Barr Plastic Inc. _____

H:\BPT SALES DWG\TANKS Norwesco_Snyder_Ace\Norwesco\Cone Bottom Tanks\2500 wth Stand.DWG



PROJECT:
- TANK APPROVAL DWG

CLIENT:
-

DRAWING REF:
-

DATE: 18 AUG 05

SCALE: -

REV:

MATERIAL SPECIFICATIONS

HDPE 1.5 SPG

ALL FITTINGS ARE
POLYPROPYLENE WITH
EPDM GASKETS