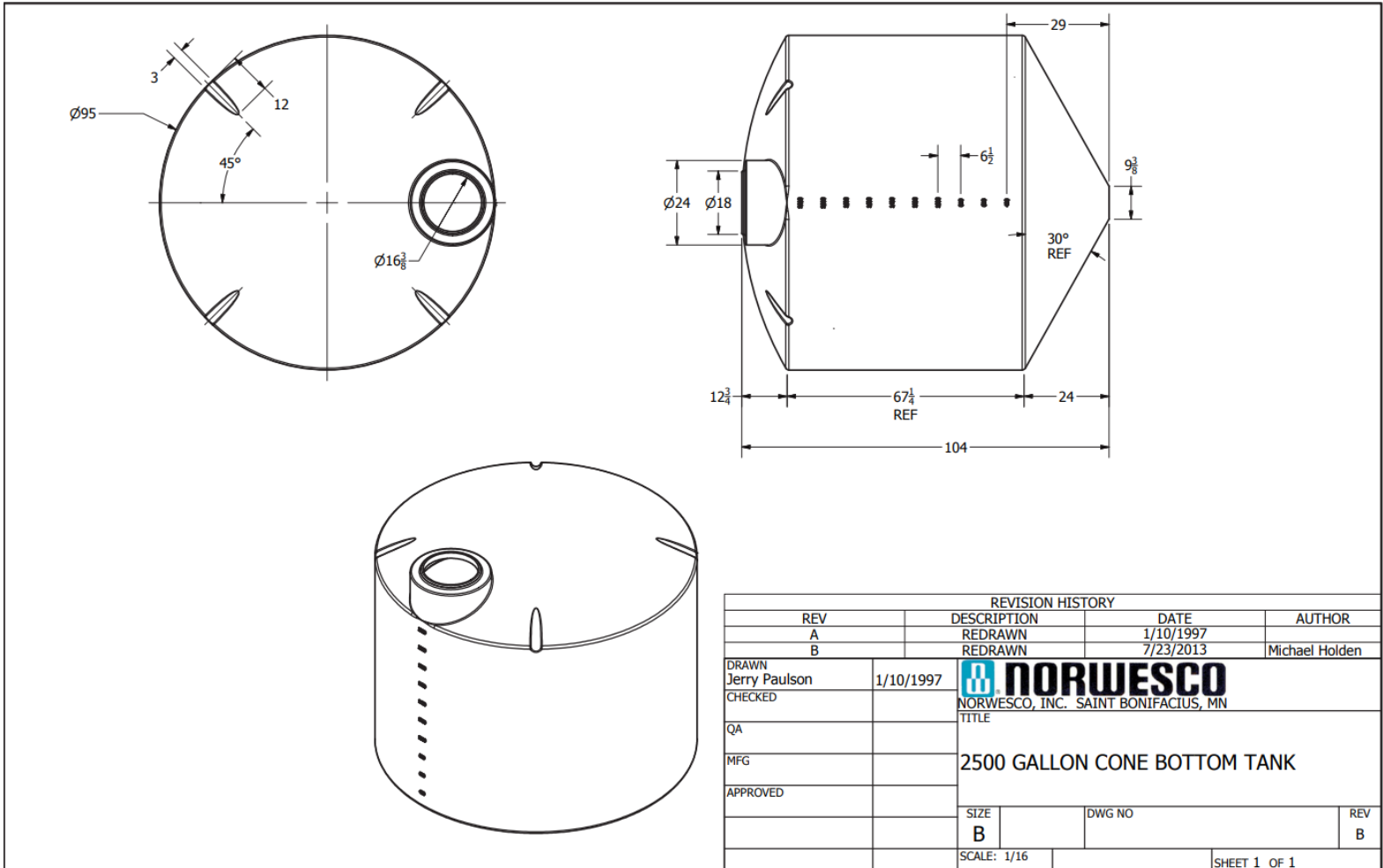




if it flows,
we go with it

1.800.665.4499
barrplastics.com



REVISION HISTORY			
REV	DESCRIPTION	DATE	AUTHOR
A	REDRAWN	1/10/1997	
B	REDRAWN	7/23/2013	Michael Holden

DRAWN Jerry Paulson	1/10/1997	 NORWESCO, INC. SAINT BONIFACIUS, MN	
CHECKED			
QA		TITLE	
MFG		2500 GALLON CONE BOTTOM TANK	
APPROVED			
	SIZE B	DWG NO	REV B
	SCALE: 1/16	SHEET 1 OF 1	