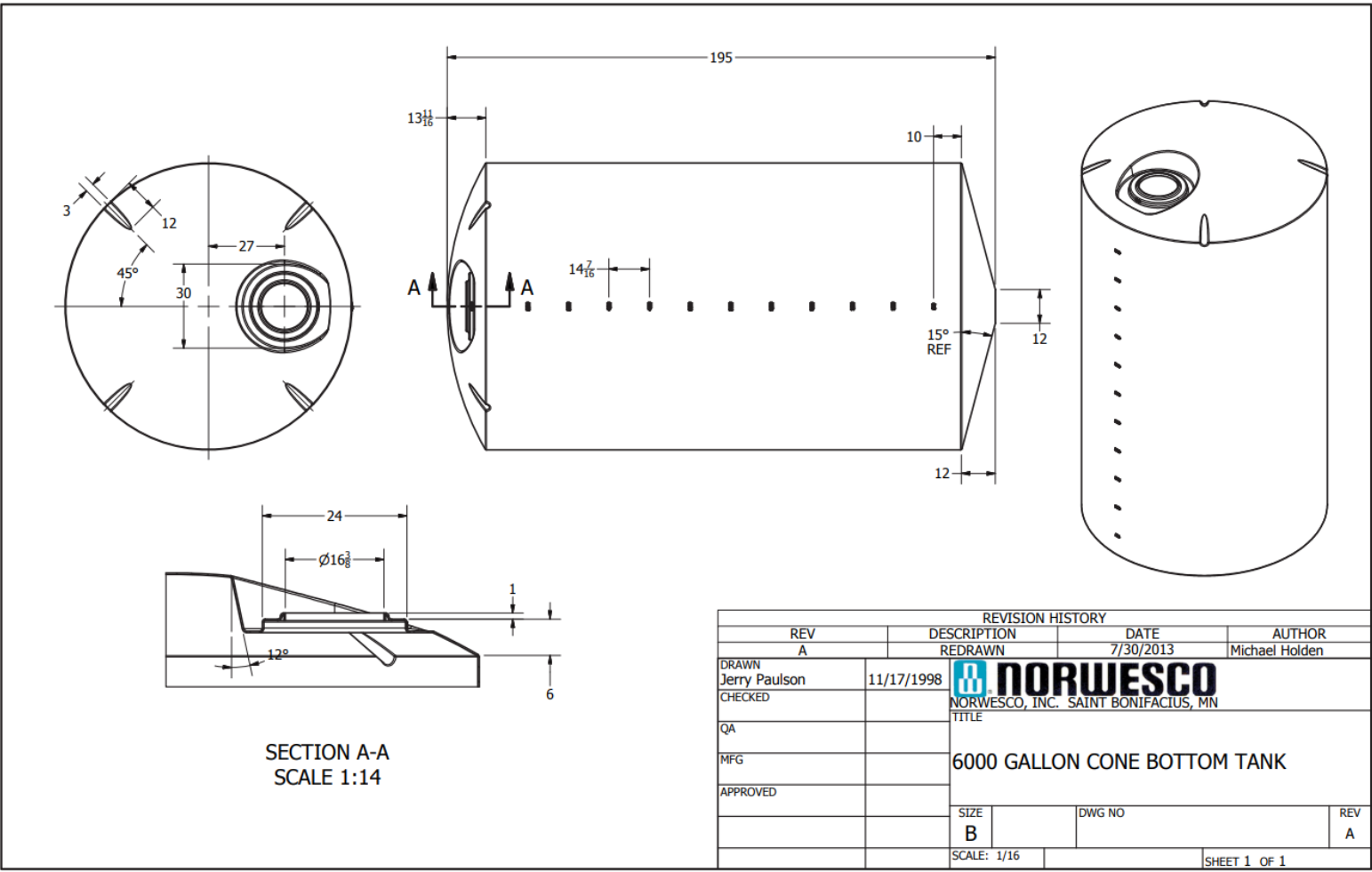




if it flows,  
we go with it

1.800.665.4499  
barrplastics.com



REVISION HISTORY			
REV	DESCRIPTION	DATE	AUTHOR
A	REDRAWN	7/30/2013	Michael Holden
DRAWN	Jerry Paulson	11/17/1998	
CHECKED			
QA			
MFG			
APPROVED			
SIZE		DWG NO	REV
B			A
SCALE: 1/16		SHEET 1 OF 1	