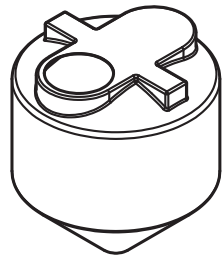
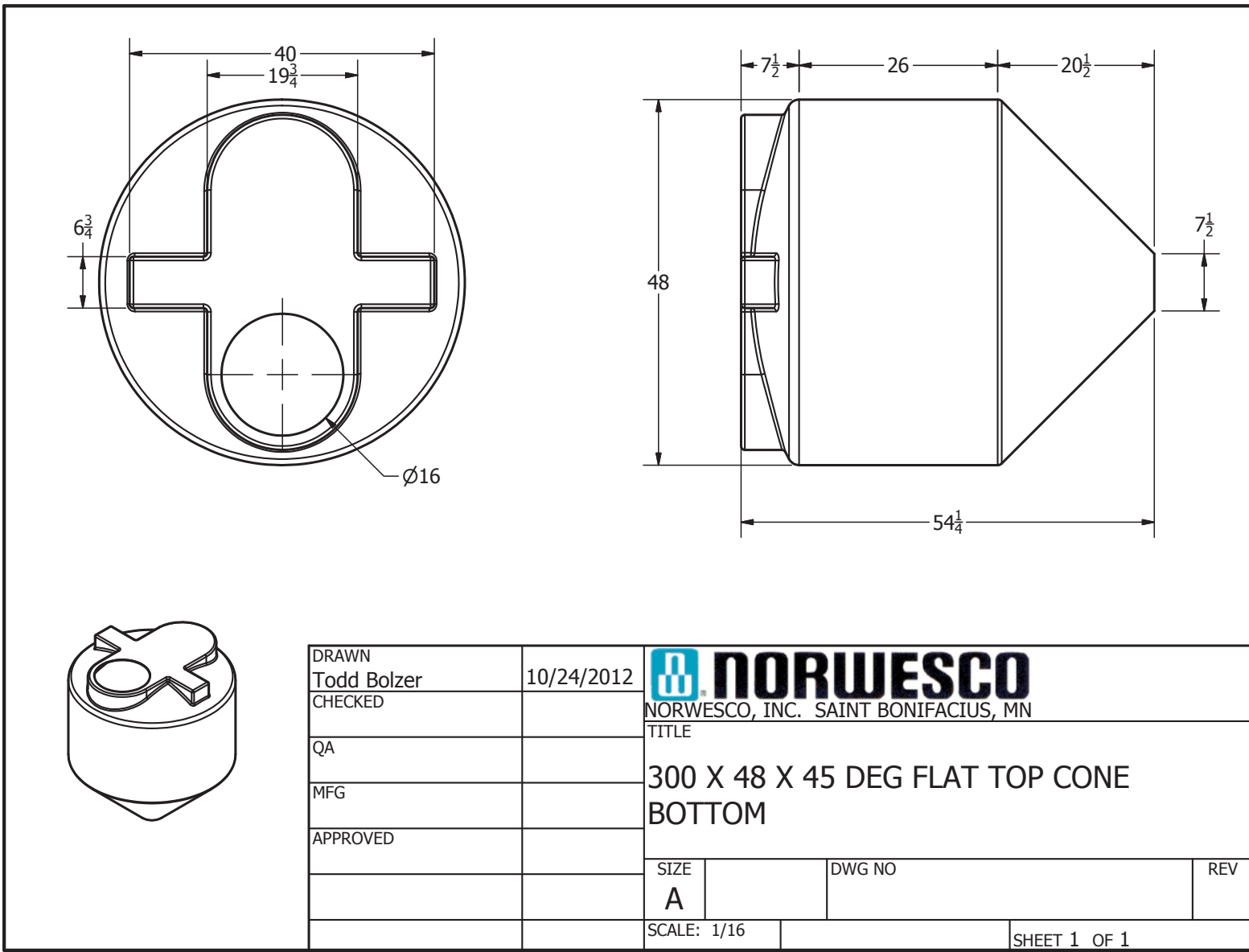




if it flows,
we go with it

1.800.665.4499
barrplastics.com



DRAWN	Todd Bolzer	10/24/2012		
CHECKED			NORWESCO, INC. SAINT BONIFACIUS, MN TITLE	
QA			300 X 48 X 45 DEG FLAT TOP CONE BOTTOM	
MFG			SIZE	DWG NO
APPROVED			A	
			SCALE: 1/16	SHEET 1 OF 1