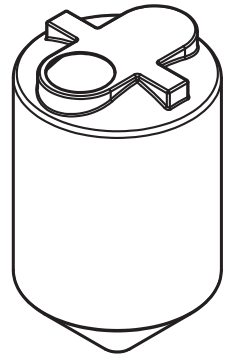
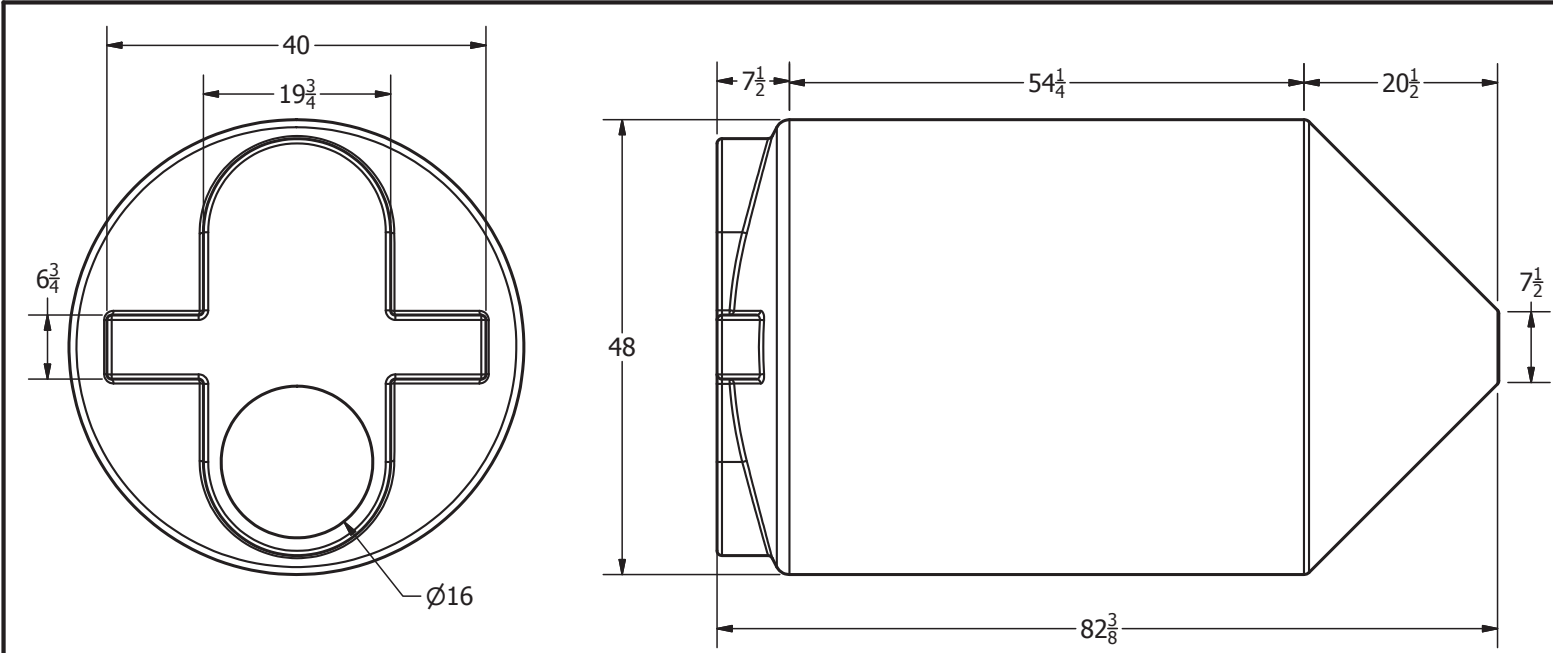




if it flows,
we go with it

1.800.665.4499
barrplastics.com



DRAWN Todd Bolzer	10/24/2012		
CHECKED			
QA		TITLE	
MFG		500 X 48 X 45 DEG FLAT TOP CONE BOTTOM TANK	
APPROVED		SIZE	DWG NO
		A	
		SCALE: 1/16	SHEET 1 OF 1
			REV