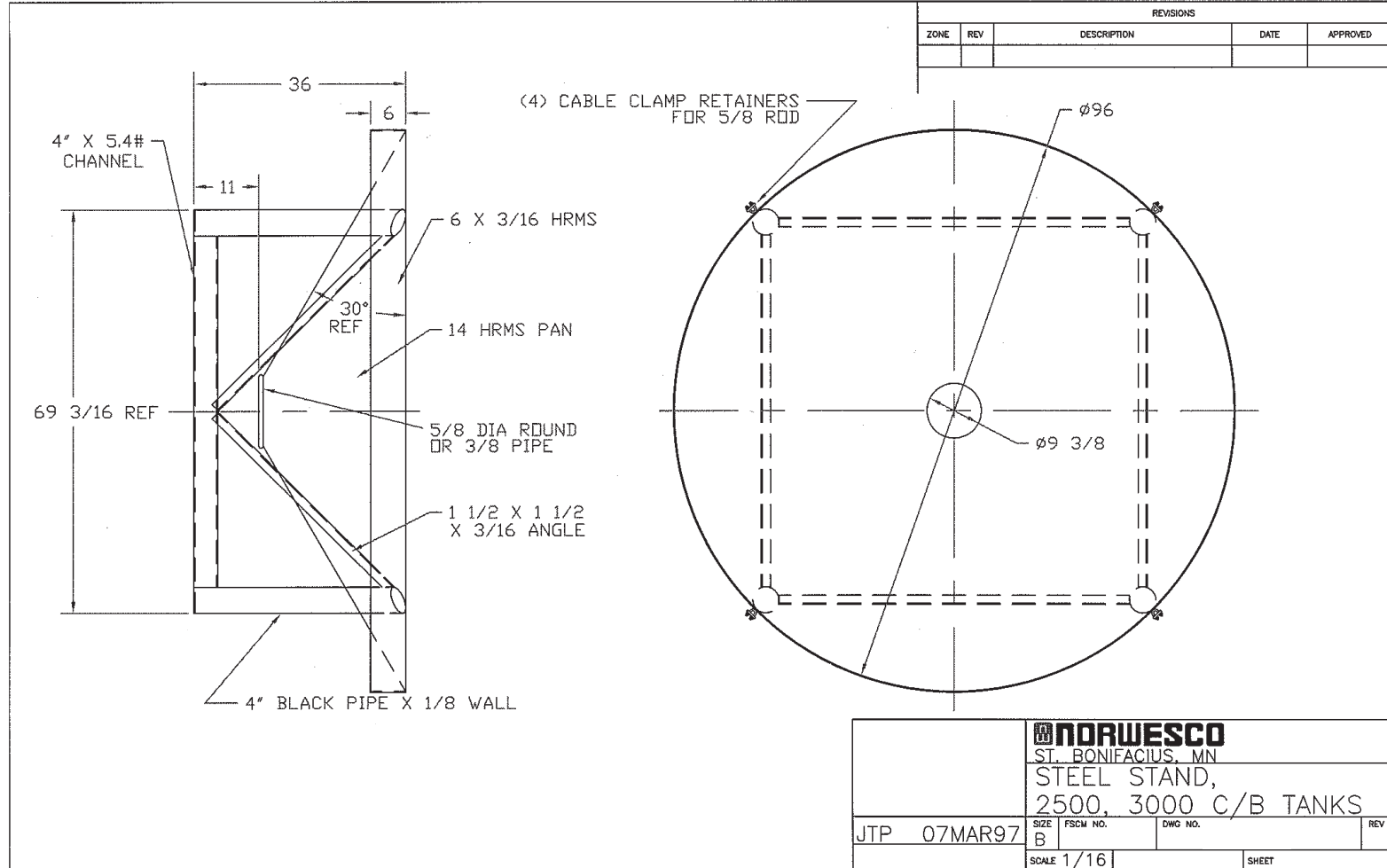




if it flows,  
we go with it

1.800.665.4499  
barrplastics.com



REVISIONS				
ZONE	REV	DESCRIPTION	DATE	APPROVED

ST. BONIFACIUS, MN				
STEEL STAND,				
2500, 3000 C/B TANKS				
JTP	07MAR97	SIZE	FSCM NO.	DWG NO.
		B		
SCALE 1/16			SHEET	