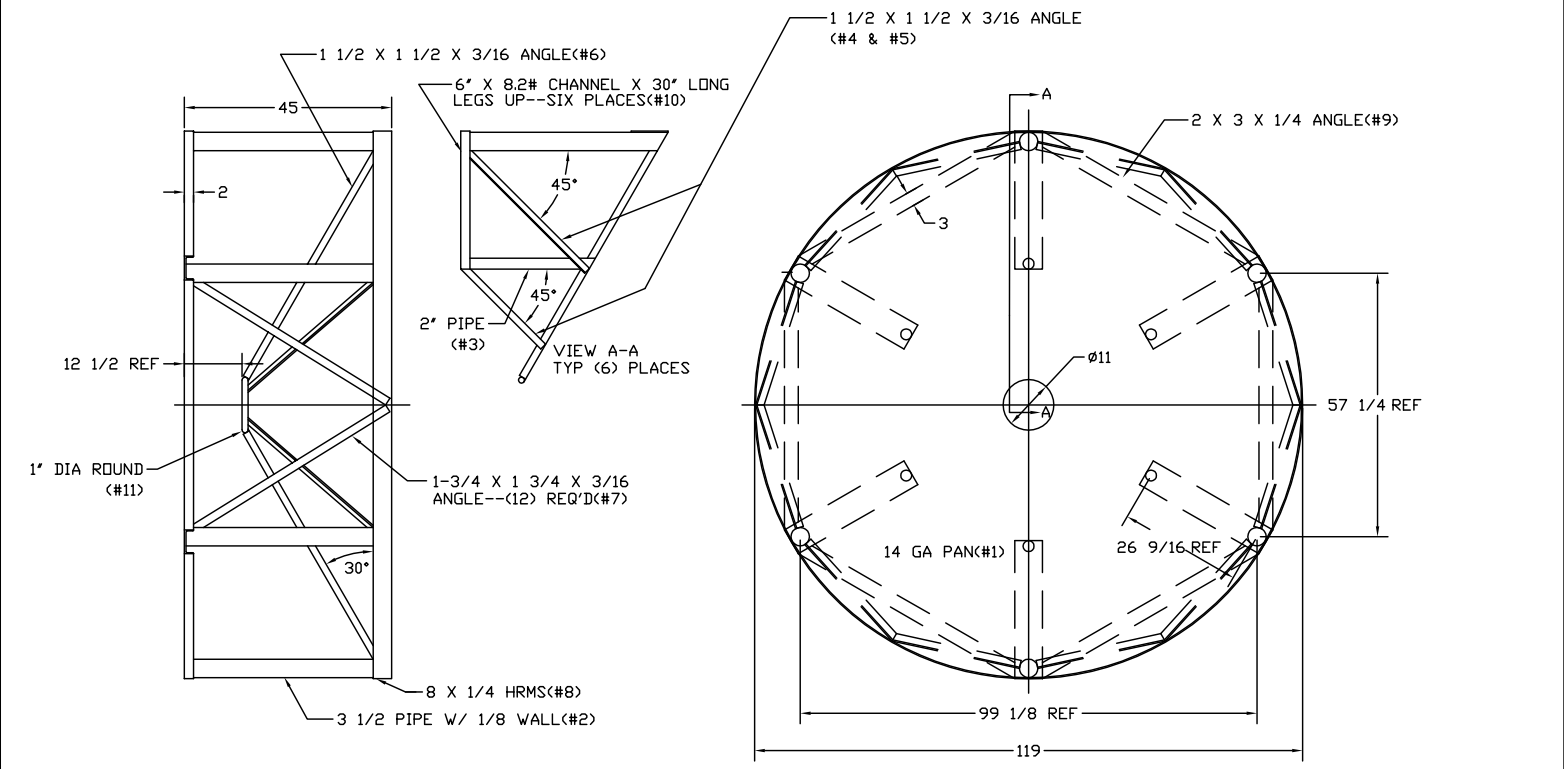




if it flows,
we go with it

1.800.665.4499
barrplastics.com

| | | | |
|------------------------------------|----------|---------|-----|
| NORWESCO | | | |
| ST. BONIFACIUS, MN | | | |
| STEEL STAND, 5500 USG(20,818 LTRS) | | | |
| CONE BTM TANK | | | |
| SIZE | FSCM NO. | DWG NO. | REV |
| A | | 60358 | |



ALL INFORMATION CONTAINED IN THIS DRAWING IS STRICTLY CONFIDENTIAL AND PROPERTY OF BARR PLASTICS INC. NO PART SHALL BE COPIED OR REPRODUCED WITHOUT THE WRITTEN CONSENT OF BARR PLASTICS INC.

| | | | |
|---|--|-------------------|---|
| Customer Drawing Approval Customer _____ Barr Plastic Inc. _____ | | PROJECT: | MATERIAL SPECIFICATIONS HDPE 1.5 SPG ALL FITTINGS ARE POLYPROPYLENE WITH EPDM GASKETS |
| | | TANK APPROVAL DWG | |
| | | CLIENT: | |
| | | DRAWING REF: | |
| | | DATE: | |
| | | 18 AUG 05 | |
| | | SCALE: | |
| | | REV: | |

This document contains proprietary information. It is intended solely for use of potential clients involved or to be involved in a transaction with BARR Plastics Inc. Such proprietary information may not be used, reproduced, or disclosed for any other purpose without the expressed written permission.

© 2019 BARR PLASTICS INC