



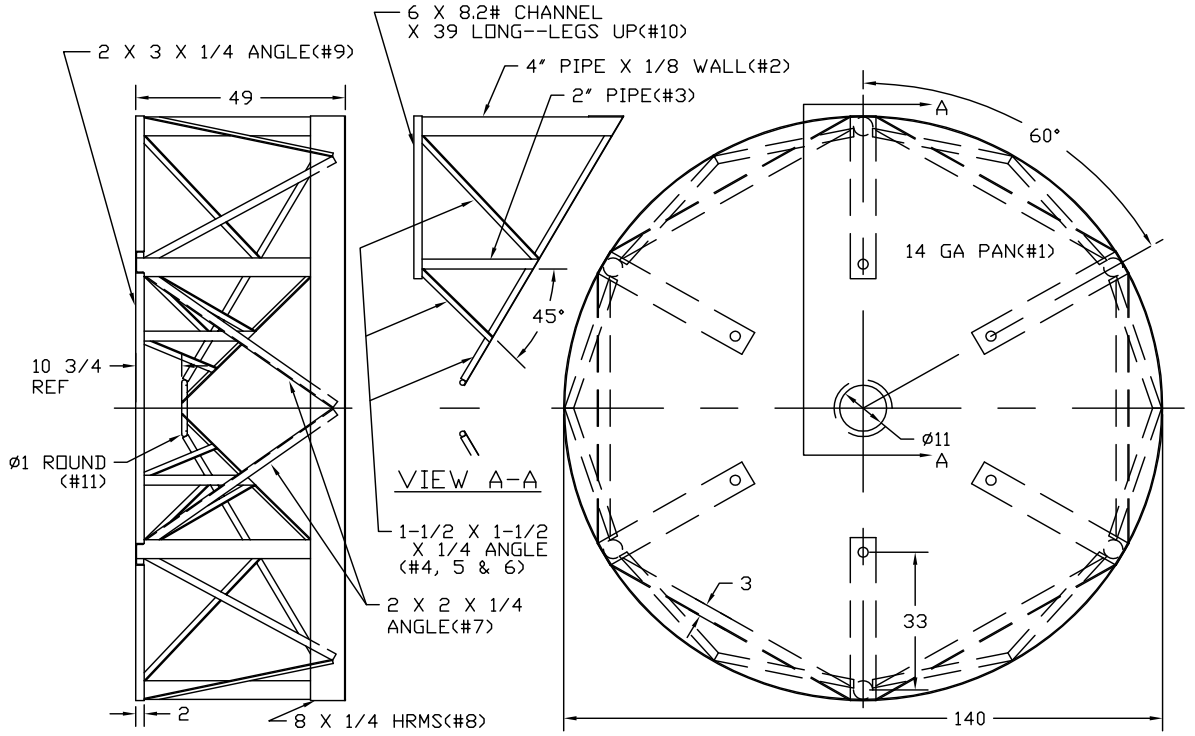
if it flows,
we go with it

1.800.665.4499
barrplastics.com

ITEM #	QTY	DESCRIPTION	ITEM #	QTY	DESCRIPTION
1	1	14 GA PAN	7	12	2 X 2 X 1/4 ANGLE
2	6	4 PIPE W/ 1/8 WALL	8	1	8 X 1/4 HRMS
3	6	2 PIPE	9	6	2 X 3 X 1/4 ANGLE
4	6	1-1/2 X 1-1/2 X 1/4 ANGLE	10	6	6 X 8.2# CHANNEL X 30
5	6	1-1/2 X 1-1/2 X 1/4 ANGLE	11	1	1 DIA ROUND
6	6	1-1/2 X 1-1/2 X 1/4 ANGLE			

NORWESCO
ST. BONIFACIUS, MN
STEEL STAND, 7500 USG (28,388 LTRS)
CONE BTM TANK

SIZE	FSCM NO.	DWG NO.	REV
A		61860	



ALL INFORMATION CONTAINED IN THIS DRAWING IS STRICTLY CONFIDENTIAL AND PROPERTY OF BARR PLASTICS INC. NO PART SHALL BE COPIED OR REPRODUCED WITHOUT THE WRITTEN CONSENT OF BARR PLASTICS INC.

Customer Drawing Approval

Customer _____
Barr Plastic Inc. _____



DATE: 18 AUG 05

PROJECT:	-
TANK APPROVAL DWG	-
CLIENT:	-
DRAWING REF:	-
SCALE:	-
REV:	-

MATERIAL SPECIFICATIONS
HDPE 1.5 SPG
ALL FITTINGS ARE POLYPROPYLENE WITH EPDM GASKETS

H:\BPT SALES DWG\TANKS Norwesco_Snyder_Ace\Norwesco\Cone Bottom Tanks\Bases\7500BASE.DWG