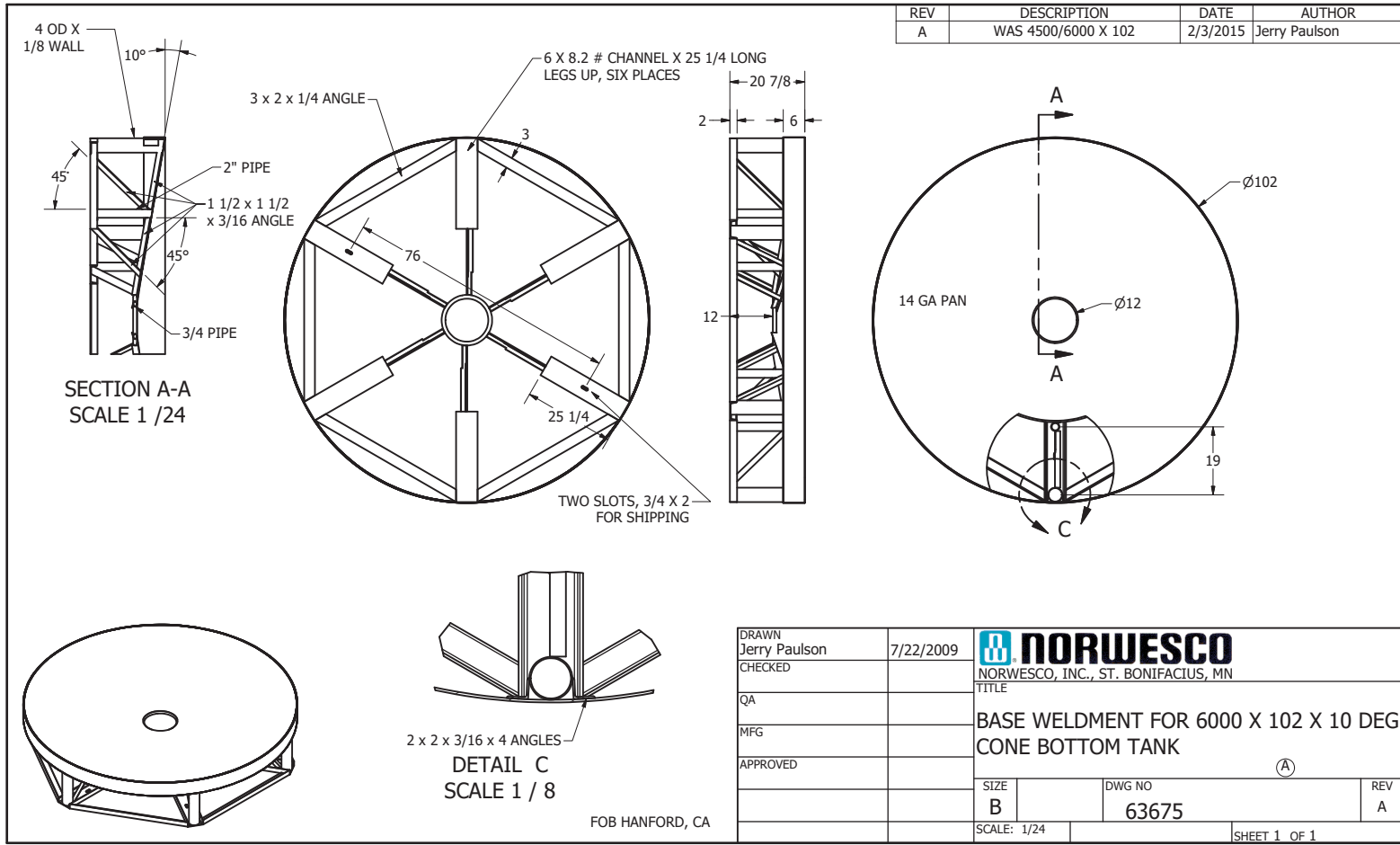




if it flows,  
we go with it

1.800.665.4499  
barrplastics.com



REV	DESCRIPTION	DATE	AUTHOR
A	WAS 4500/6000 X 102	2/3/2015	Jerry Paulson

DRAWN Jerry Paulson	7/22/2009		<b>NORWESCO</b> NORWESCO, INC., ST. BONIFACIUS, MN	
CHECKED			TITLE	
QA		BASE WELDMENT FOR 6000 X 102 X 10 DEG CONE BOTTOM TANK		
MFG		(A)		
APPROVED		SIZE B	DWG NO 63675	REV A
SCALE: 1/24		SHEET 1 OF 1		