



if it flows,
we go with it

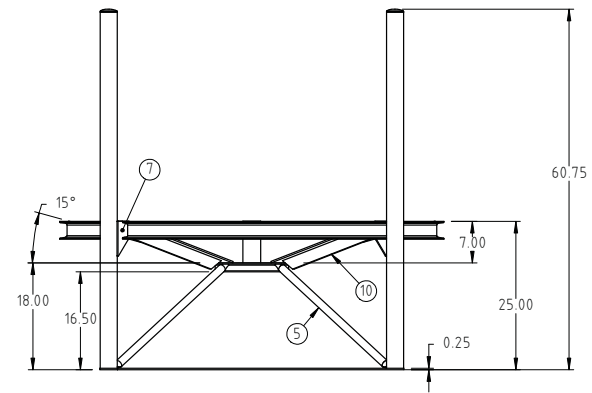
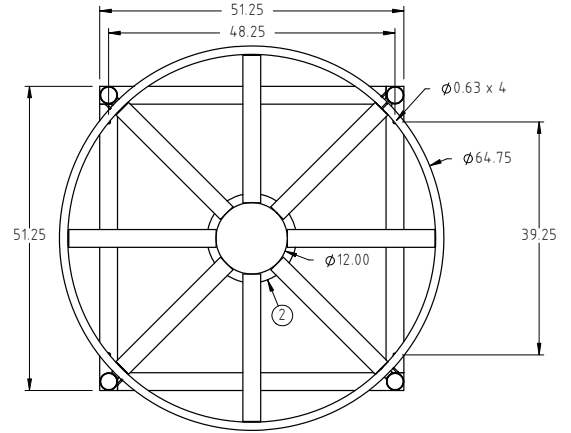
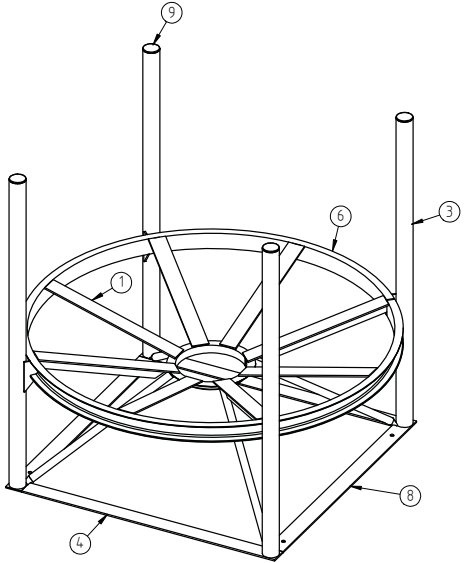
1.800.665.4499
barrplastics.com

© DEN HARTOG INDUSTRIES, INC.

Copyright: All information furnished within this document, electronic file or design correspondence is the property of Den Hartog Industries, Inc. and shall not be used, disclosed to others or copied without the expressed written consent of Den Hartog Industries, Inc.

KEY	PART NUMBER	DESCRIPTION	QTY
1	CB064-15ST-1	SIDE SUPPORT STRAP	8
2	RAR-12	ROLLED ANGLE, 12" PLAIN	1
3	CB064-45ST-3	LEG PIPE	4
4	CB064-45ST-4	BASE STRAP	2
5	CB064-15ST-5	ANGLED SUPPORT PIPE	4
6	CB064-45ST-6	3 INCH CHANNEL RING	1
7	SJ10306	BRACKET, CONE BOTTOM STAND	4
8	CB064-45ST-8	BASE STRAP-HOLES	2
9	12688	PIPE PLUG, 2-1/2" BLACK	4
10	CB064-15ST-2	SUPPORT STRAP	4

CB064-15ST



REV		DESCRIPTION	BY / DATE	CCN	DRAWN / DATE DHJ 11/30/15	MATERIAL
					APPRD. / DATE REH 12/15/15	
					SHOT WEIGHT: 320.00 LBS	NOTES:
					SHIPPING WEIGHT: FINISH: POWDER COATING, BLACK TILE, 40012	



Den Hartog
INDUSTRIES, INC.

Ace Roto-Mold Injection Molding Blow Molding Sowjoy

4010 HOSPERS DRIVE S. BOX 425, HOSPERS, IOWA 51238-0421

DESCRIPTION	CB, Ø64"-15 DEG STAND	
SCALE	N.S.	PART NO. CB064-15ST